

Eclipse Under-Canopy Illumination



Pappi Lighting

Energy Savings

- The Choice is Simple -

With today's energy costs on the rise, our family of luminaires offers energy savings without sacrificing performance.

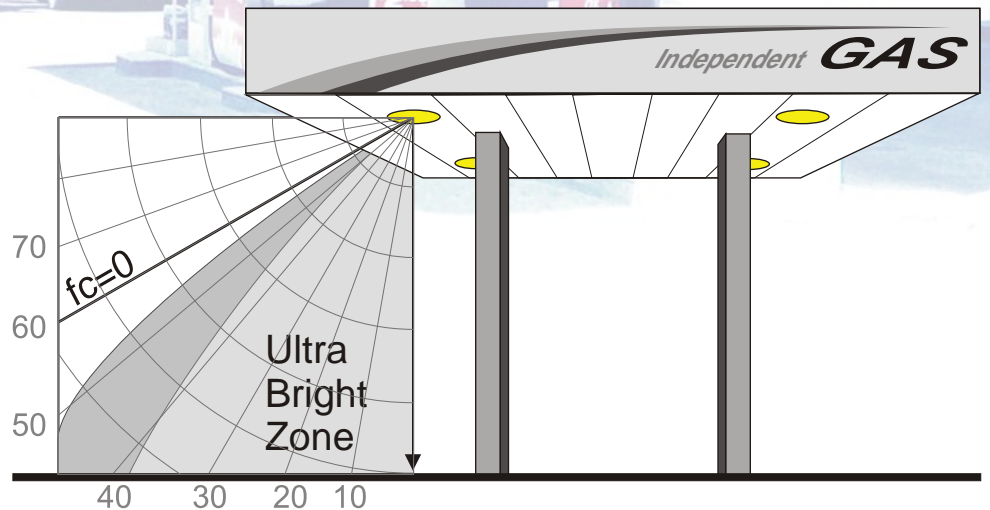
Luminaire	Input Watts	Comparison	Input Watts	Energy Savings
Eclipse 200wPS	235	400w Luminaire	450	48%
Eclipse 200wPS	235	320w Luminaire	360	34%
Eclipse 175wPS	208	400w Luminaire	450	54%
Eclipse 175wPS	208	320w Luminaire	360	35%

- How much will you save? -



Trespass Sensitive

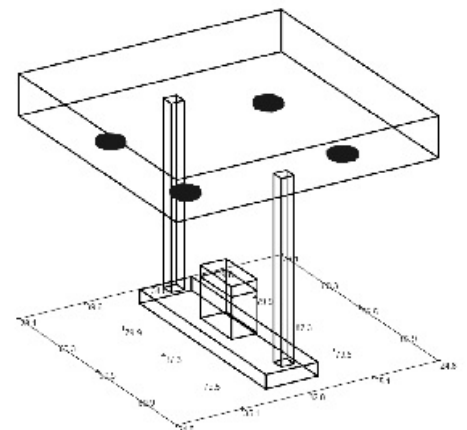
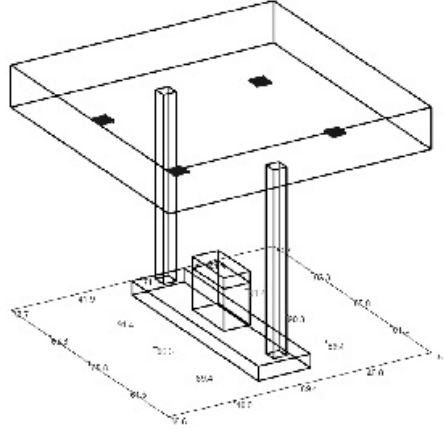
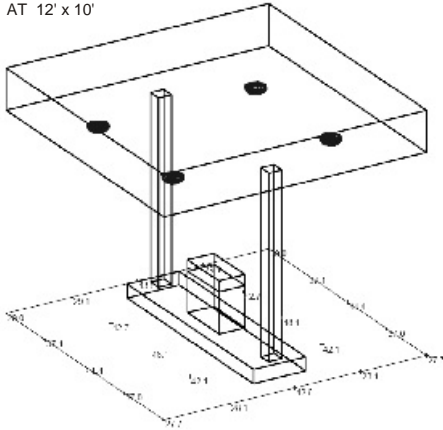
Municipalities are demanding luminaires that do not pollute light and are sensitive to night sky preservation. Pappi lighting under-canopy luminaires offer flat lens full cut-off designs that exceed IESNA and Dark Skies standards by super concentrating the light so that no light exceeds 60 degrees from the Vertical.



Performance

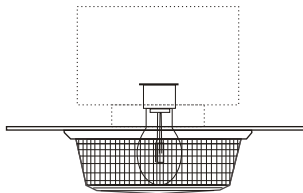
With Pappi's exclusive mirror finished reflector combined with today's pulse start lamps technology, light output is magnified allowing the use of lower wattage lamps.

A TYPICAL 20'x20' CANOPY EXAMPLE WITH LUMINAIRES SPACED AT 12' x 10'

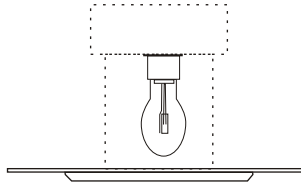


Note: All values are initial and all luminaires are mounted at 14.5'

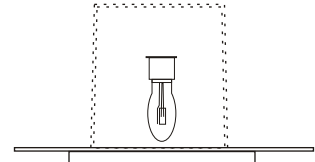
Typical 320w drop lens
Maximum fc = 48.1



Typical 320w flat lens
Maximum fc = 91



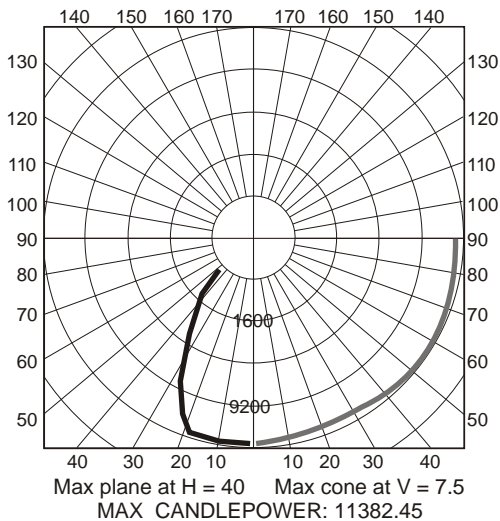
Pappi Lighting Eclipse
200w flat lens
Maximum fc = 87.3



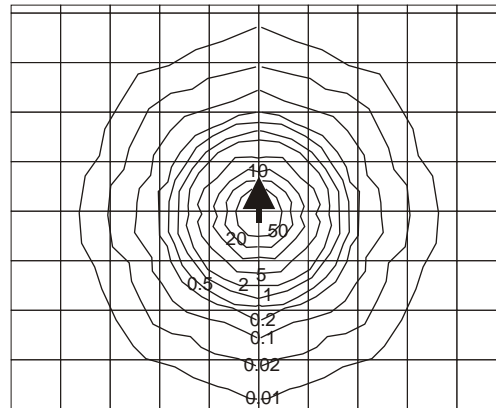
The Eclipse under canopy luminaire meets or exceeds the performance comparison with 34% less power input.

Eclipse Photometric Information

PLANE & CONE DIAGRAM



ISO-ILLUMINANCE DIAGRAM (fc)

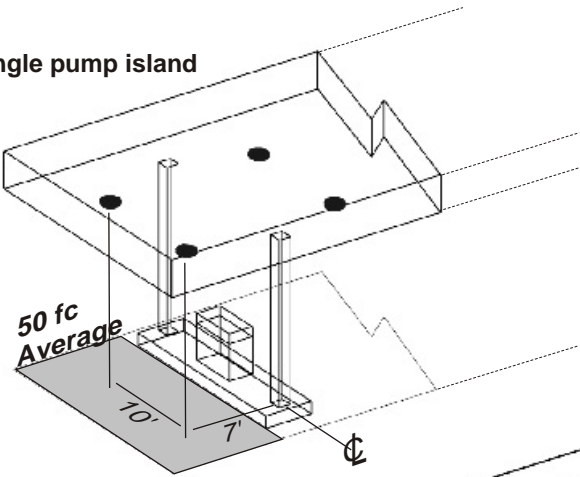


Mounting Height = 15 ft. Each box represents one mounting height.

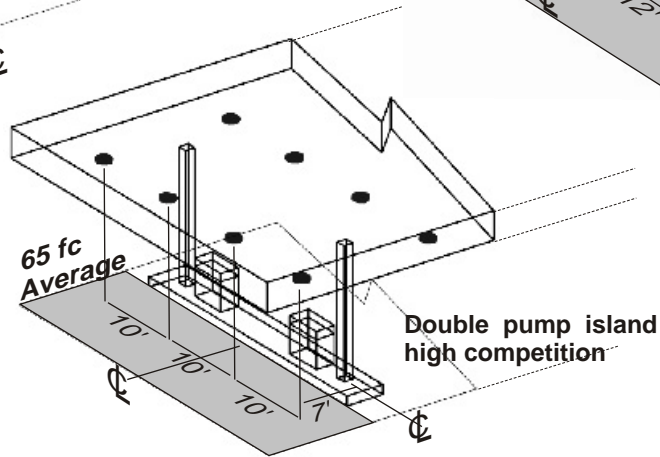
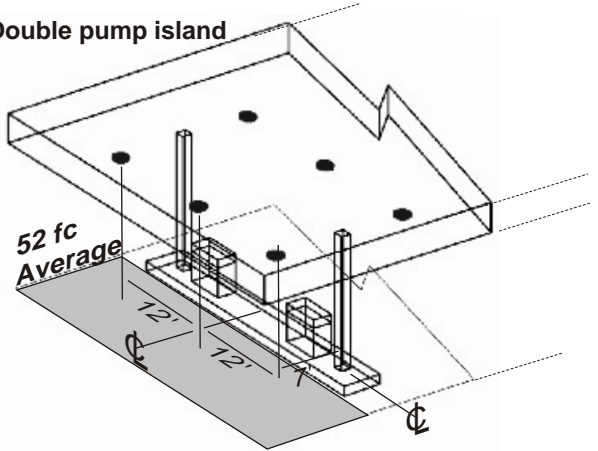
Lamp : 200w MH Pulse Start.
Lumens: 21000
Tilt = none

Typical Canopy Applications

Single pump island

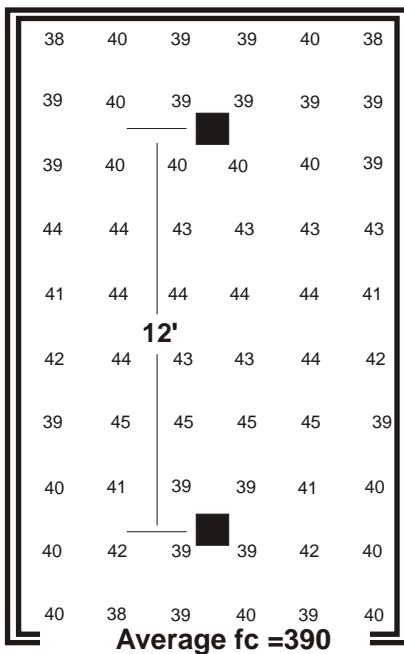


Double pump island

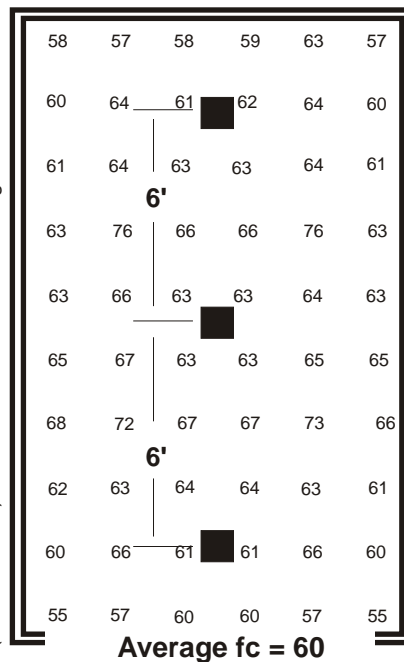


Typical Carwash Applications

Photometric example 2 luminaires mounted 12' above the ground spaced utilizing 200watt Metal Halide Pulse lamp (21000 lumens). FC. values are initial with no light loss factor.



Photometric example 3 luminaires mounted 12' above the ground spaced utilizing 200watt Metal Halide Pulse lamp (21000 lumens). FC. values are initial with no light loss factor.



Specifications

Housing

Spun 12" Dia 1100 series aluminum alloy Min 0.090" (2 mm) with all major components serviced from below the canopy decking. Unique Spun Mounting cup installed above canopy decking provides a water tight seal and raises the junction box above water runoff. All exposed fasteners are manufactured of stainless steel.

Reflector

Optics are segmented, multi-faceted Ultra-bright mirror grade specular anodized aluminum. Reflectors offer concentrated light distributions for ultra bright performance

Lens / Frame

Heavy duty die-cast aluminum. hinged to allow for maintenance and re-lamping. Flat tempered safety glass fully gasketted.

Finish

Rugged, long life, oven baked polyester White powder coatings utilizing multi-stage pre-treatment for outstanding adhesion.

Electrical

High power factor ballasts rated to -30 degrees C (-20 degrees F). 4 KV rated medium base lamp holders are utilized for all reflector types.

Lamping

Vertical burn position and medium base for all reflector types.
200w - 175w MH Medium Base E-17

Warranty

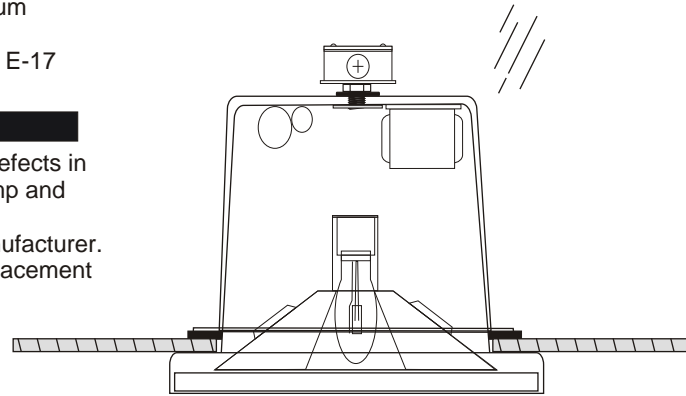
A three year warranty against defects in material and workmanship. Lamp and ballast and ballast components warranties are provided by manufacturer. All warranties are limited to replacement and/ or repair.



Listed for Wet Location



Eclipse Canopy / Carwash Recessed Full Cut-Off Metal Halide Luminaire



Designed for use with
single or double deck
canopies.

ECLP



Lamp Wattage

200 MHP
175 MHP
150 MHP
'P'- Pulse
Lamp



Mounting

Recessed Mount (RSM)



Voltage

120, 208, 240,
277, 347,



Options

Retrofit Pan



Color / Finish

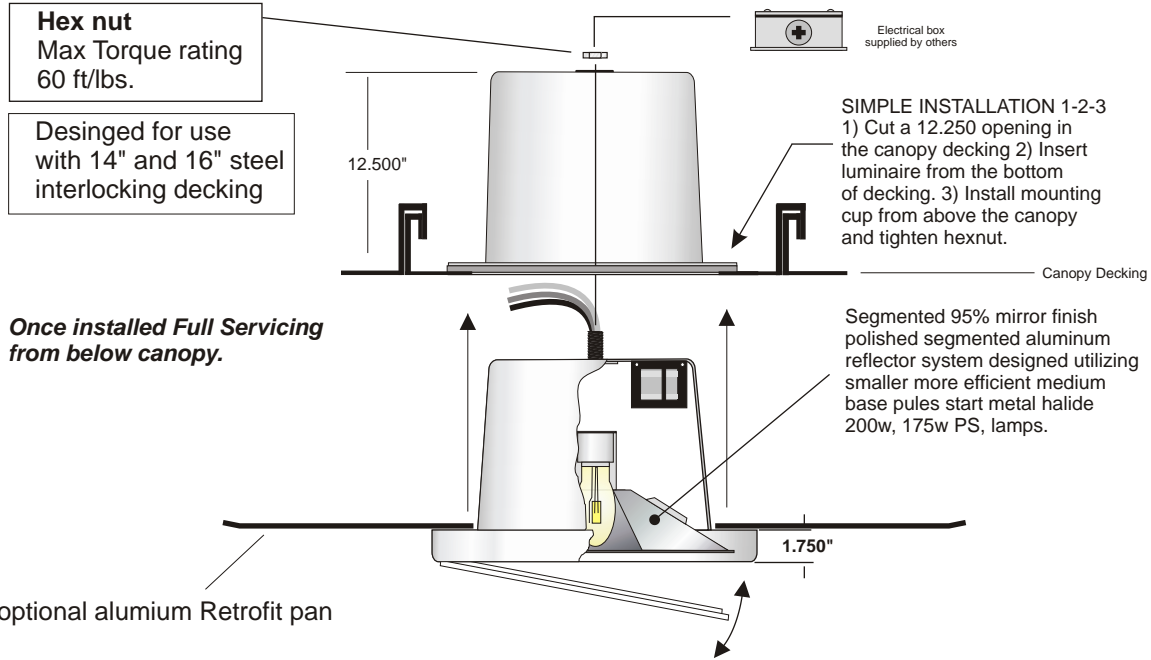
Mill Finish (Mill)
White (WHI)



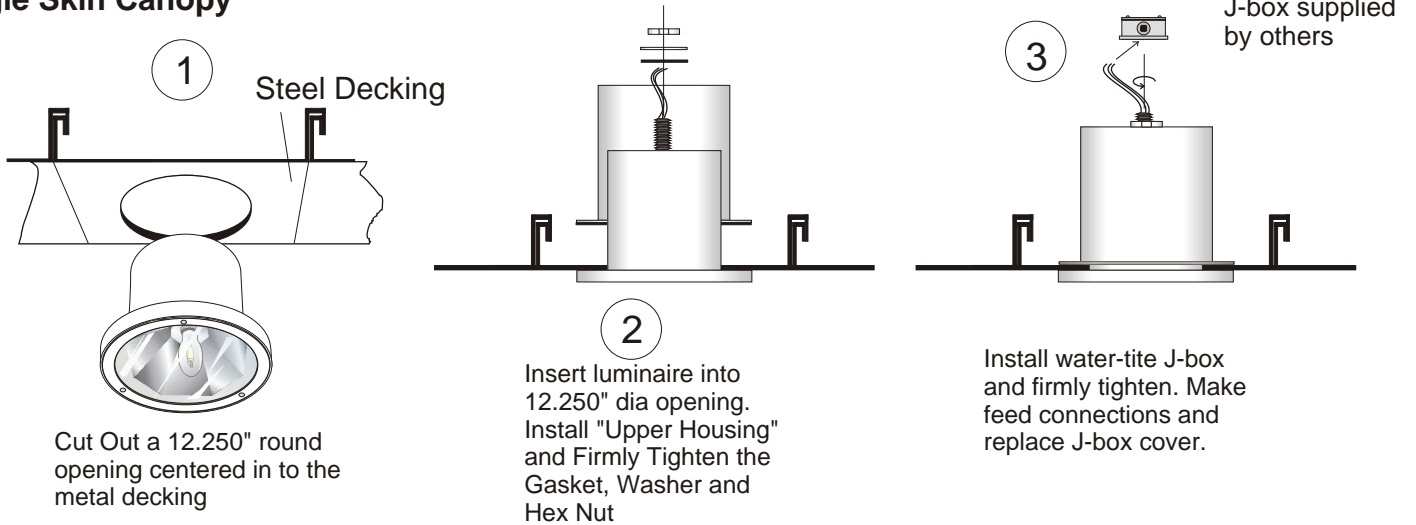
Pappi Lighting

Tel: 888-453-1139 Fax: 866-720-3015
www.pappilighting.com

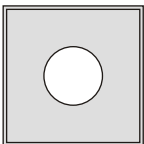
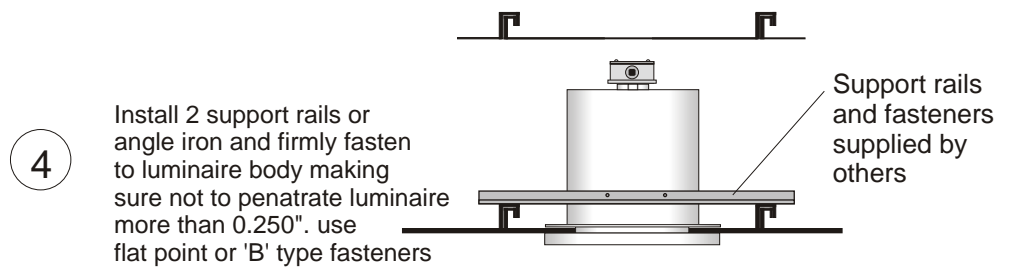
Installation



Single Skin Canopy



Double Skin Canopy



Retrofit Pan Information

24" x 24" Aluminum pan 0.064" thick designed for use Eclipse luminaire.
Each Pan is Powder coated white to match the luminaire