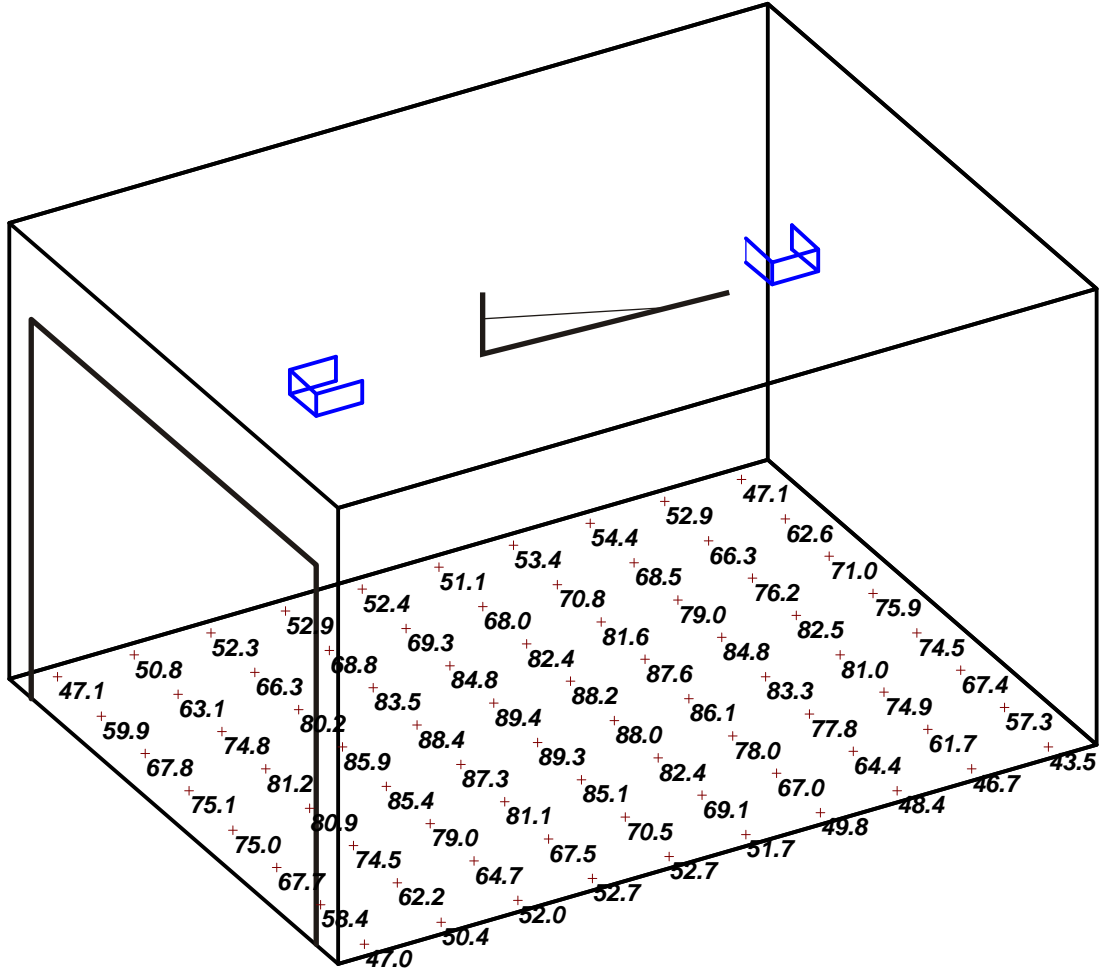
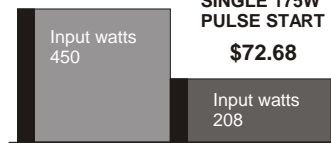


Photometric example wash bay 22' x 15' with 2 x 200w metal halide pulse start luminaires mounted on 12' ceiling



ANNUAL OPERATIONAL COSTS FOR A SINGLE 400W MH LUMINAIRE  
\$157.68



ANNUAL OPERATIONAL COSTS FOR A SINGLE 175W PULSE START  
\$72.68

54%

All calculations based on a \$0.08 KW hour and a 12 hour usage cycle.

## ENERGY SAVINGS



**Pappi Lighting**

www.pappilighting.com Tel: 888-853-1139 Fax: 866-720-3015