

Housing

Rugged anodizing quality extruded 6063 T6 aluminum alloy Min 0.080" (2mm) max 0.410" (10mm) precision clamp joint construction providing superior strength and square edged corners. Aluminum top held captive within the integrated channel. Fully sealed with a direct injected silicone raceway.

Reflector

Optics utilize high reflectance lighting white, aluminum multifaceted panels which ensures maximum light output and efficiency.

Lens / Frame

6063 T6 clear anodized extruded aluminum. For easy maintenance and access a hidden self-hinge opens to 180 degrees. Tempered flat glass lens is fully encased in high temperature EPDM gasketing. Drop acrylic lenses are optional.

Finish

Rugged, long life, oven baked polyester powder coatings utilizing multi-stage pre-treatment for outstanding adhesion. Optional Hard color anodizing provides a superior protection in harsh and corrosive applications.

Electrical

High power factor ballasts rated to -30 Deg C (-20 Deg F). 5 KV rated mogul base lamp holders are fixed to an aluminum heat-sink bracket and can be field adjusted for lamp center and rotation for position sensitive lamps.

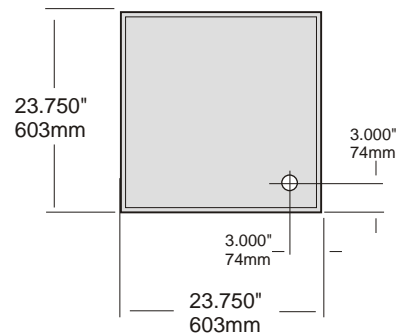
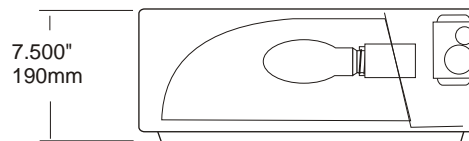
Lamping

Horizontal burn position, mogul base. 400w - 250MH Mogul Base ED-28

Warranty

A three year warranty against defects in material and workmanship. Lamp and ballast and ballast components warranties are provided by manufacturer. All warranties are limited to replacement and/ or repair.

Icon
Canopy / Carwash
Recessed Semi Cut-Off
Metal Halide Luminaire



Lamp Wattage

400 MHP 400 MH
350 MHP 320 MHP
250, MHP 250 MH
'P' - Pulse Start Lamp



Voltage

120, 208, 240,
277, 347,



Lens

Clear Glass (LG)
Prismatic Glass (SG)
Prismatic Drop Acrylic (PD)



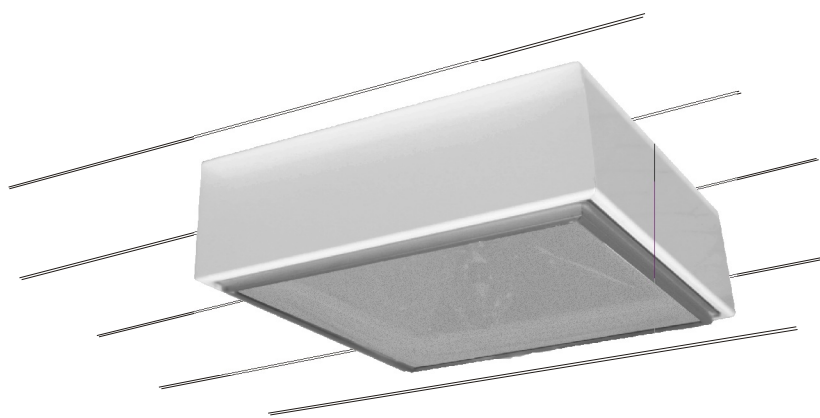
Options

Retrofit Pan



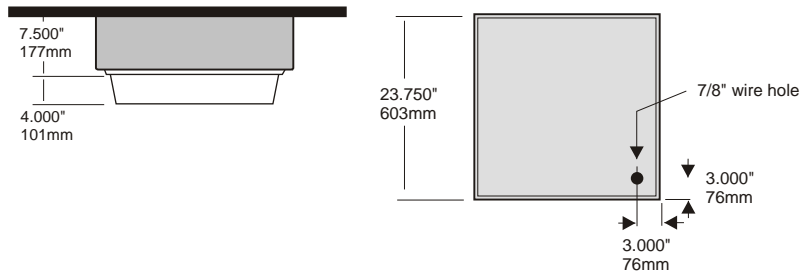
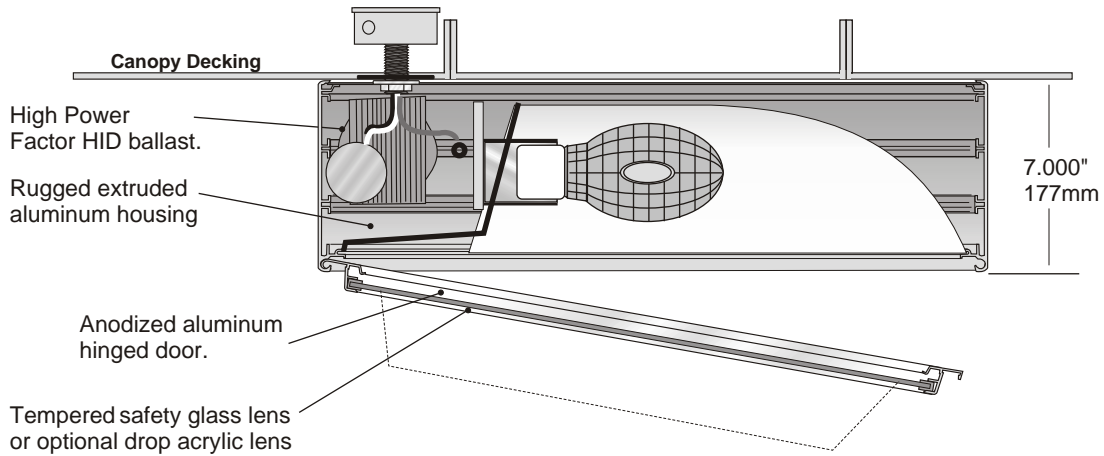
Color / Finish

Mill Finish (Mill)
White (WHI)



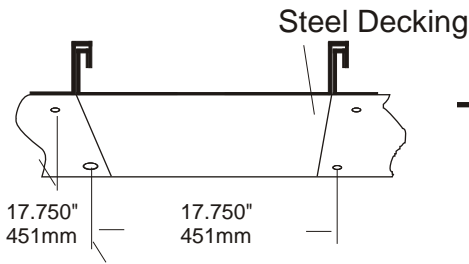
Stippled glass lens (SG)

Luminaire Construction



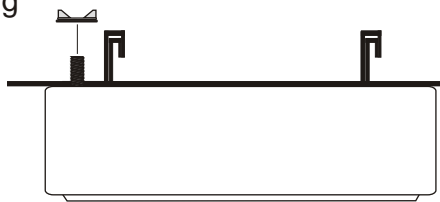
Installation Information

Single Skin Canopy



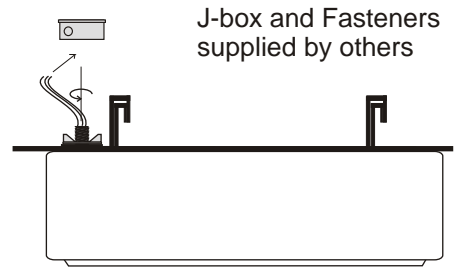
1

Drill 1 x 3/4" holes in metal decking on 10" centers



2

Insert luminaire into wire hole drilled. Install and Firmly Tighten the Gasketed Hex nuts to the metal decking.



3

Install water-tite J-box and firmly tighten. Make feed connections and replace J-box cover.



Pappi Lighting

Tel: 888-453-1139 Fax: 866-720-3015
www.pappilighting.com