

Housing

Rugged anodizing quality extruded 6063 T6 aluminum alloy Min 0.080" (2mm) max 0.410" (10mm) precision clamp joint construction providing superior strength and square edged corners. Aluminum top held captive within the integrated channel. Fully sealed with a direct injected silicone raceway.

Reflector

Constructed using high performance mirror polished anodized and sealed specular grade aluminum designed to super concentrate the lamp output for maximum brightness.

Lens / Frame

6063 T6 clear extruded aluminum. Servicing is made easy with an invisible self-hinged design. The standard flat tempered safety glass is fully encased with high temperature EPDM gasket.

Finish

Rugged, long life, oven baked polyester powder coatings in a white standard finish utilizing multi-stage pre-treatment for outstanding adhesion.

Electrical

High power factor ballasts rated to -30 Deg C (-20 Deg F). 4 KV rated medium base lamp holders are fixed to an aluminum heat-sink bracket and can be field adjusted for lamp center and rotation for position sensitive lamps.

Lamping

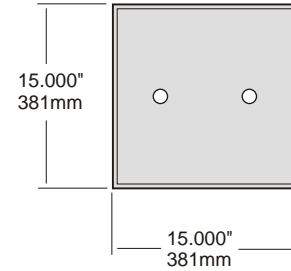
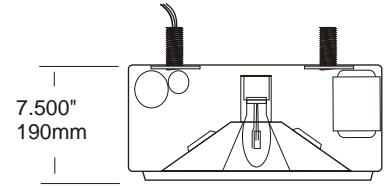
Vertical burn position and medium base for all reflector types. 200w - 175w MHPS Medium Base E-17

Warranty

A three year warranty against defects in material and workmanship. Lamp and ballast and ballast components warranties are provided by manufacturer. All warranties are limited to replacement and/ or repair.

Controller

Canopy / Carwash
Surface Mount Full Cut-Off
Metal Halide Luminaire



Listed for Wet Location



Designed for use with
single or double deck
canopies.



Lamp Wattage

200mh PS
175mh PS



Voltage

120, 208, 240,
277, 347,



Distribution

Vert. lamp - V



Lens

Flat Glass (LG)
Frosted Glass (FG)



Options

Retrofit Pan



Color / Finish

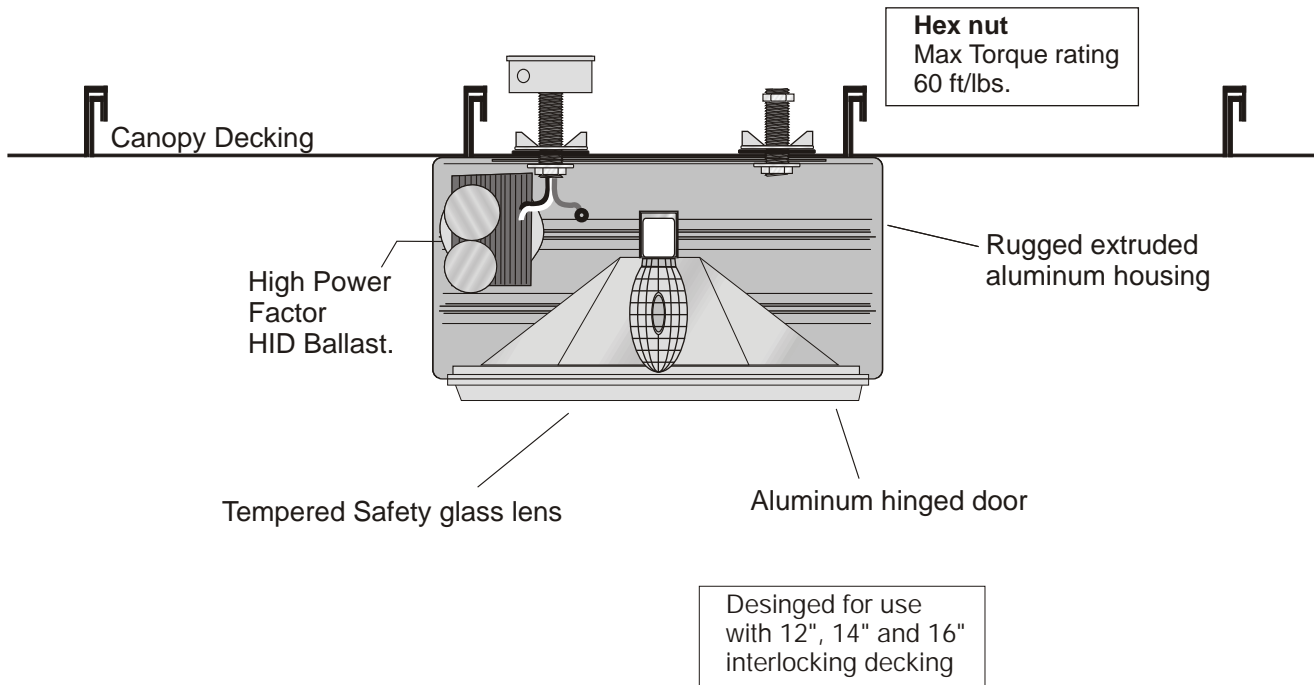
Mill Finish (Mill)
White (WHI)



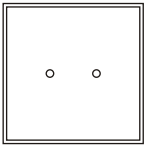
Pappi Lighting

Tel: 888-453-1139 Fax: 866-720-3015
www.pappilighting.com

Luminaire Mounting Information



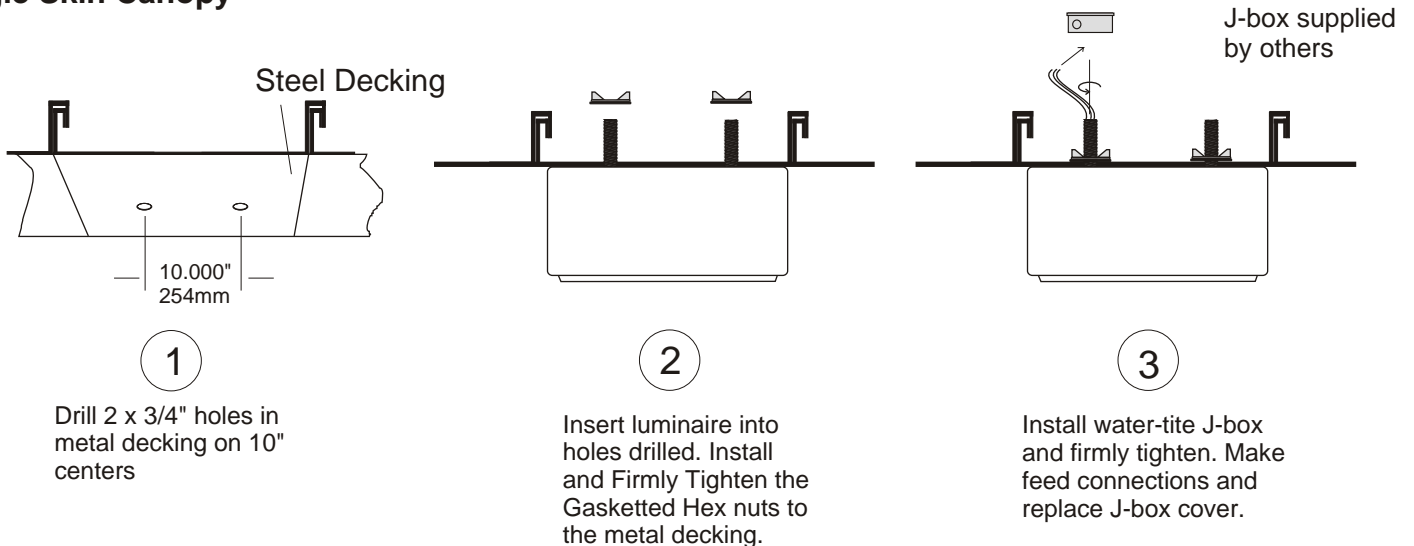
Retrofit Pan Information



24" x 24" Aluminum pan 0.064" thick designed for use Eclipse luminaire.
Each Pan is Powder coated white to match the luminaire

Installation Information

Single Skin Canopy



Pappi Lighting

Tel: 888-453-1139 Fax: 866-720-3015
www.pappilighting.com

Housing

Rugged anodizing quality extruded 6063 T6 aluminum alloy Min 0.080" (2mm) max 0.410" (10mm) precision clamp joint construction providing superior strength and square edged corners. Aluminum top held captive within the integrated channel. Fully sealed with a direct injected silicone raceway.

Reflector

Constructed using high performance mirror polished anodized and sealed specular grade aluminum designed to super concentrate the lamp output for maximum brightness.

Lens / Frame

6063 T6 clear extruded aluminum. Servicing is made easy with an invisible self-hinged design. The standard flat tempered safety glass is fully encased with high temperature EPDM gasket.

Finish

Rugged, long life, oven baked polyester powder coatings in a white standard finish utilizing multi-stage pre-treatment for outstanding adhesion.

Electrical

High power factor ballasts rated to -30 Deg C (-20 Deg F). 4 KV rated medium base lamp holders are fixed to an aluminum heat-sink bracket and can be field adjusted for lamp center and rotation for position sensitive lamps.

Lamping

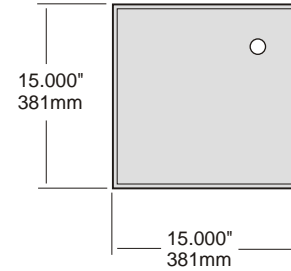
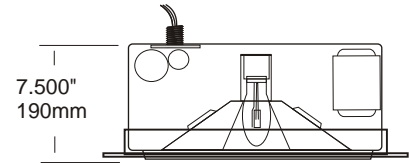
Vertical burn position and medium base for all reflector types. 200w - 175MHPS Medium Base E-17

Warranty

A three year warranty against defects in material and workmanship. Lamp and ballast and ballast components warranties are provided by manufacturer. All warranties are limited to replacement and/ or repair.

Controller

Canopy / Carwash
Recessed Full Cut-Off
Metal Halide Luminaire



Designed for use with
double deck canopies.



Listed for Wet Location



CON-RT



Lamp Wattage

200mh PS
175mh PS



Voltage

120, 208, 240,
277, 347,



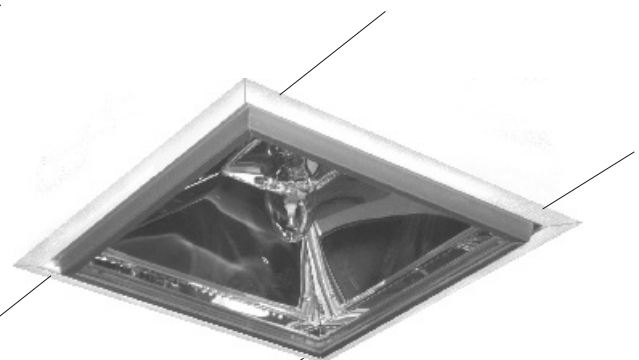
Lens

Flat Glass (LG)
Frosted Glass (FG)



Color / Finish

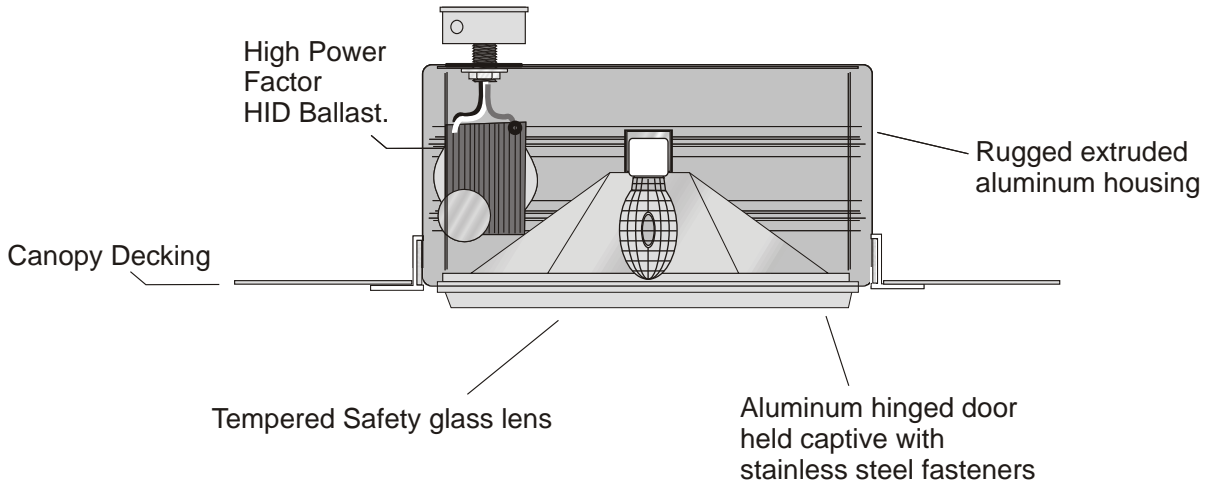
Mill Finish (Mill)
White (WHI)



Pappi Lighting

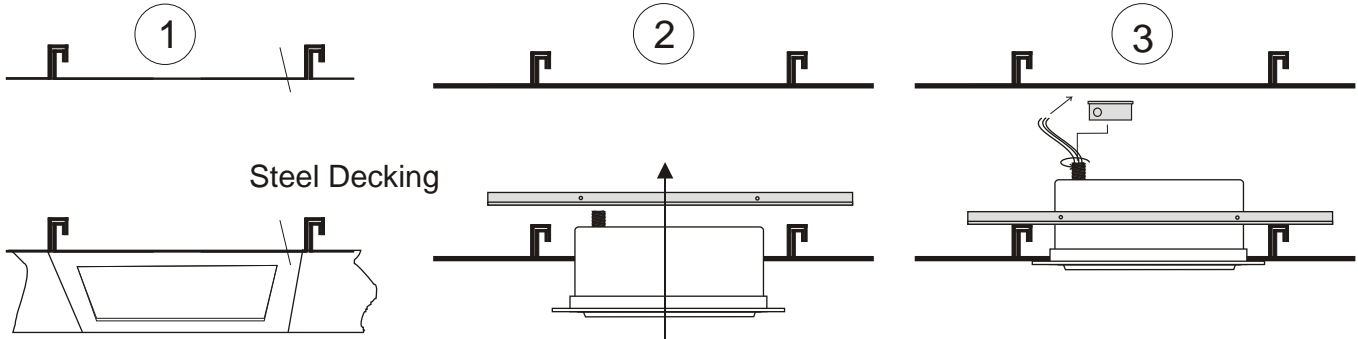
Tel: 888-453-1139 Fax: 866-720-3015
www.pappilighting.com

Luminaire Construction



Installation Information

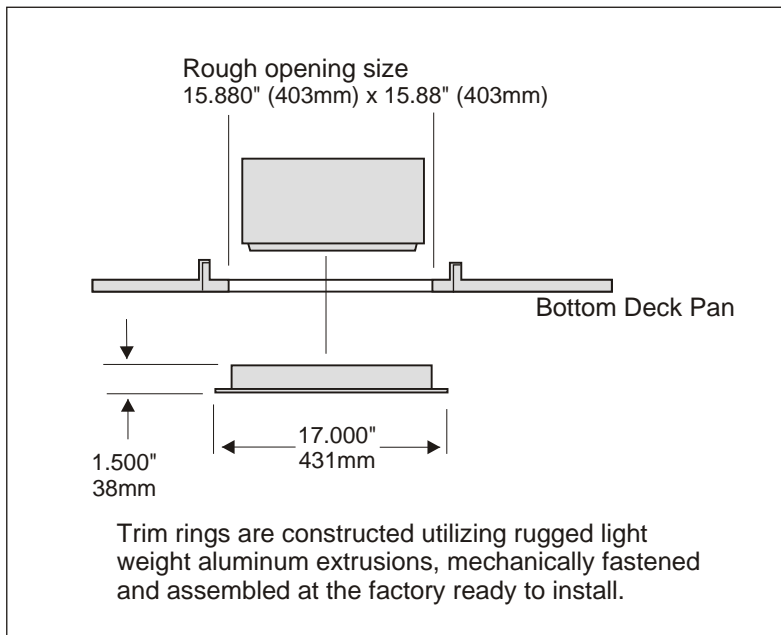
Double Skin Canopy Only



Cut out a square opening into the canopy metal decking

Insert luminaire into opening. Attach angle iron frame (not supplied) to luminaire body via 2 zip screws per side approx. 0.500" from the luminaire corner.

Install water-tite J-box and firmly tighten. Make feed connections and replace J-box cover.



Pappi Lighting

Tel: 888-453-1139 Fax: 866-720-3015
www.pappilighting.com