

# Canopy Designs

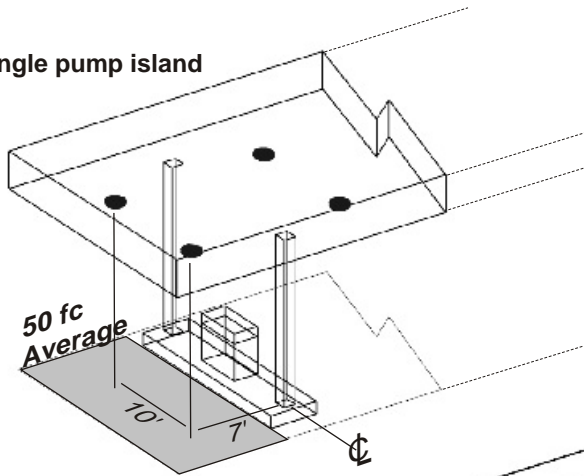
# Photometric Examples

Canopy Example 120' x 40' - Eclipse 200wPS Mounted at 15' Foot candle values are initial and at ground level. Point by Point spacing based on a 5' x 5' grid.

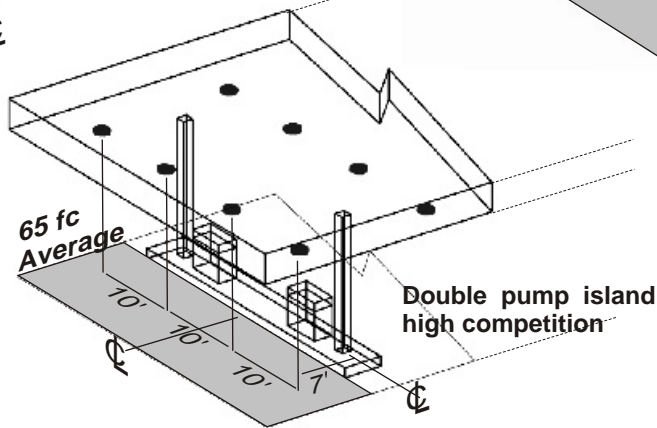
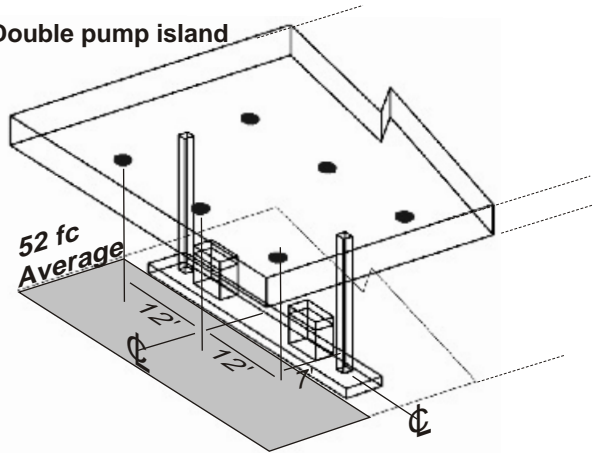
**Average FC = 69**

21.2	56.6	60.4	60.7	79.4	67.7	79.6	66.9	75.1	77.3	69.9	70.9	61.7	79.4	70.2	76.7	74.6	67.2	90.2	67.6	70.0	60.1	60.2	56.0	20.1
24.6	71.0	85.3	77.4	91.9	86.9	95.0	85.6	88.7	92.6	90.0	94.4	78.5	92.6	89.4	94.5	90.0	83.7	93.3	87.7	93.3	78.2	82.5	67.0	23.4
21.1	48.6	58.3	64.2	69.3	67.0	66.4	61.0	68.2	60.1	64.3	66.2	68.2	69.3	60.4	66.6	69.1	67.3	68.6	63.4	67.2	61.2	60.3	38.9	17.4
25.3	68.1	80.2	60.3	69.6	64.6	90.3	78.1	61.9	62.7	60.6	90.0	66.0	69.8	67.0	68.5	64.4	63.2	60.7	78.4	68.6	68.9	64.2	38.7	17.9
25.6	70.0	65.5	78.1	95.4	86.3	95.9	89.2	82.5	95.5	92.7	96.5	78.1	96.5	92.7	96.5	92.5	88.2	96.9	96.3	96.4	78.1	85.5	70.0	26.5
17.9	68.7	51.2	68.9	68.6	75.4	60.7	63.2	84.4	68.5	67.0	50.6	66.0	90.0	80.6	62.7	61.0	78.1	90.3	69.6	59.6	80.3	80.2	68.1	26.3
17.4	68.9	50.3	55.2	67.2	63.4	59.6	57.3	65.0	68.6	60.4	50.3	58.2	66.2	64.3	60.1	58.2	62.0	66.4	62.0	59.3	54.2	58.3	48.6	21.1
23.4	67.9	82.5	78.2	93.3	87.7	63.3	63.7	60.9	64.5	69.4	92.6	78.5	64.4	90.9	92.6	66.7	85.6	95.0	86.0	91.0	77.4	85.3	71.0	24.5
20.1	56.0	60.2	60.4	79.0	67.6	60.2	67.2	74.0	75.7	70.2	79.4	61.7	70.9	69.9	77.3	75.1	66.9	79.0	67.7	79.4	60.7	60.1	56.0	21.2

Single pump island



Double pump island



Eclipse



**Pappi Lighting**

www.pappilighting.com Tel: 888-853-1139 Fax: 866-720-3015

ANNUAL OPERATIONAL COSTS FOR A SINGLE 400W MH LUMINAIRE  
**\$157.68**

ANNUAL OPERATIONAL COSTS FOR A SINGLE 175W PULSE START  
**\$72.68**

**54%**

Input watts 450

Input watts 208

All calculations based on a \$0.08 KW hour and a 12 hour usage cycle.

**ENERGY SAVINGS**