

Housing

Die cast aluminum 1/2" NPS tapped holes on top, sides and a drilling template for easy box mounting. Hinged refractor door frame for simple lamp servicing. Continuous silicone rubber gasket.

Finish

Rugged, long life, oven baked polyester powder coatings utilizing multi-stage pre-treatment for outstanding adhesion. Standard finish is bronze and white. Custom colors are available - consult factory -

Reflector

Specular anodized hamertone aluminum, removable for installation. Symmetrical light pattern maximizes distance between luminaires.

Lamping

Horizontal burn position and medium base for all reflector types.

175w - 70MH Medium Base E-17
150w - 50 HPS Medium Base E-17

Lens / Frame

Impact and thermal-shock resistant tempered safety glass lens encased with heavy silicone gasketing. Die cast aluminum door frame hinged on one side and held captive with 2 stainless steel fasteners.

Warranty

A three year warranty against defects in material and workmanship. Lamp and ballast and ballast components warranties are provided by manufacturer. All warranties are limited to replacement and/ or repair.

Electrical

High power factor ballasts rated to -30 Deg C (-20 Deg F). 4 KV rated mogul base lamp holders with nickel plated screw shell and spring loaded center contact.



Lamp

175mh 150hps
150mh, 100hps
100mh 70hps
70mh



Voltage

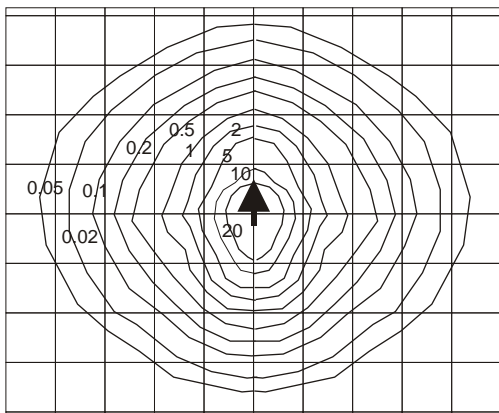
120, 208, 240,
277, 347,



Color / Finish

Powder coat
White (WHI)
Bronze (BZS)
Special (SPC)

ISO-ILLUMINANCE DIAGRAM (fc)

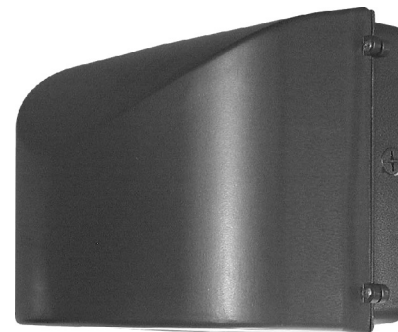
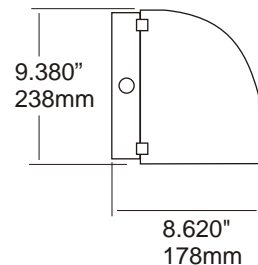
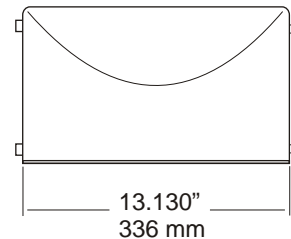
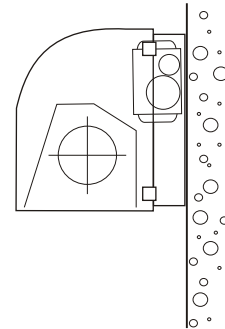


Mounting Height	Muliplier
10	2.250
15	1.00
20	0.563
25	0.36
30	0.25
35	0.18
40	0.14
45	0.11
50	0.09

Mounting Height = 15 ft. Each box represents one mounting height.

Lamp : 175w
Lumens: 14000
Tilt = none

Wallbright FC
175 watt Full Cut-Off
Wall Mount Luminaire



Pappi Lighting

www.pappilighting.com

Tel: 888-453-1139 Fax: 866-720-3015

Pappi Lighting reserves the right to make product changes without prior notification