

Housing

Rugged anodizing quality extruded 6063 T6 aluminum Min 0.100" (2mm) max 0.470" (10mm) incorporating precision, internally welded with clamp joint construction.

Reflector

Constructed using high performance mirror polished anodized and sealed specular grade aluminum with a total reflectance no less than 96%. Multi stage optics are segmented, multi-faceted and maximized uniformity.

Lens / Frame

6063 T6 clear extruded aluminum. Servicing is made easy with an invisible self hinged design incorporating spring loaded tool-less latches. The standard flat tempered safety glass is fully encased with high temperature EPDM gasket. When glare-control is required an optional semi-transparent frosted glass is available

Electrical

High power factor ballasts rated to -30 Deg C (-20 Deg F). 4 KV rated mogul base lamp holders are fixed to an aluminum heat-sink bracket and can be field adjusted for lamp center and rotation for position sensitive lamps.

Finish

Rugged, long life, oven baked polyester powder coatings utilizing multi-stage pre-treatment for outstanding adhesion. Optional Hard color anodizing provides a superior protection in hash and corrosive applications.

Lamping

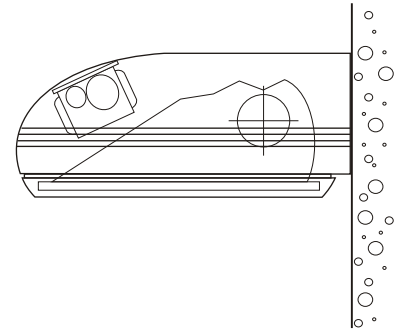
Horizontal Burn Position and mogul base for all reflector types.

- 400w - 175MH Mogul Base ED-28
- 400w - 200 HPS Mogul Base ET-18

Warranty

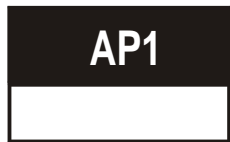
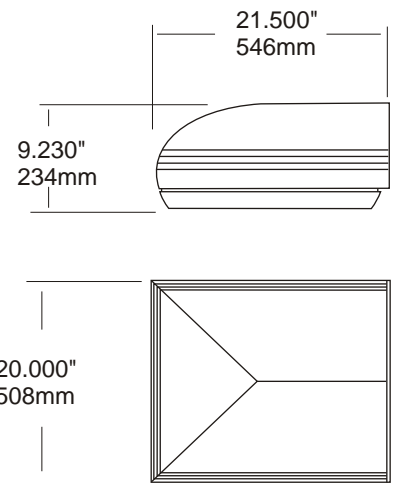
A three year warranty against defects in material and workmanship. Lamp and ballast and ballast components is provided by manufacturer. All warranties are limited to replacement and/or repair.

Aurapak One
400 watt HID Full Cut-Off
Dark Skies Compliant
Wall Mounted Luminaire



Listed for Wet Location

Luminaire Dimensions



Lamp

- 400 MHP
- 400 MH
- 350 MH
- 320 MHP
- 250, MHP
- 250 MH
- 400 HPS
- 250, HPS
- 200 HPS
- 'P'- Pulse Lamp



Voltage

- 120, 208, 240, 277, 347



Distribution

- Hor. lamp - FF



Lens

- Flat Glass (LG)
- Frosted Glass (FG)



Options

- Photo Control (PC)
- Quartz Restrike (Q)
- Fuse(s) (F)
- Modular Discon. (MD)
- Clip n' Hang bracket (WMB)



Color / Finish

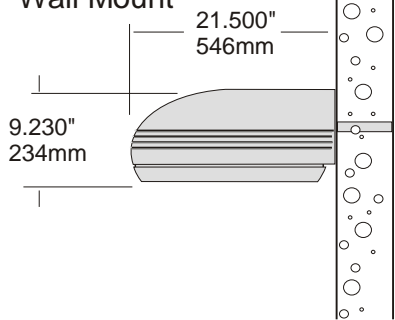
- Powder coat**
- White (WHI)
- Black (MBK)
- Bronze (BZS)
- Special (SPC)
- Anodizing**
- Clear (CLA)
- Black (MBA)
- Bronze (BZA)



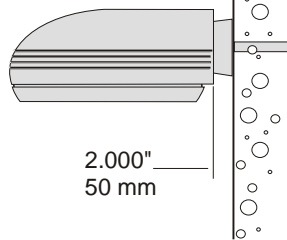
Pappi Lighting
www.pappilighting.com

Tel: 888-453-1139 Fax: 866-720-3015

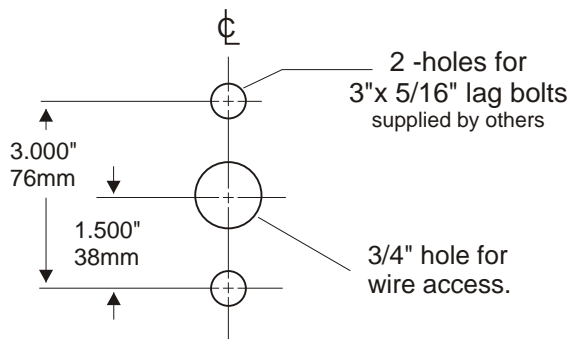
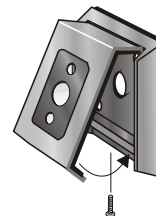
Standard Wall Mount



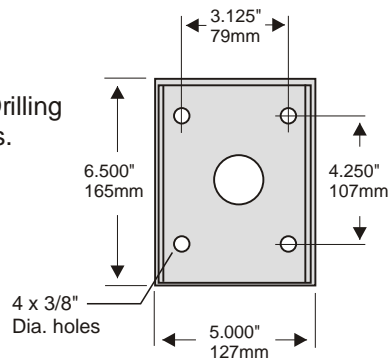
"Clip n' Hang" Wall Mount



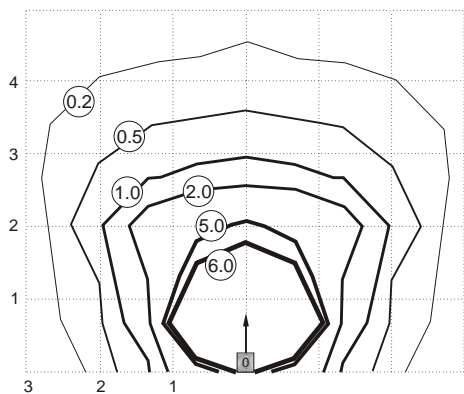
Weather tight aluminum Quick mount "Clip n' hang" wall bracket will accept all electrical connections.



Wall Drilling Details.



Photometric Information



Each box represents one mounting height.

Lamp Factor Table

Lamp	Lumens	Multiplier
150 HPS	16000	1.14
250 HPS	29000	2.07
400 HPS	50000	3.57
175MH	14000	1.00
250MH	22000	1.57
400MH	36000	2.57

Mounting Height Factor Table

Mounting Height	Multiplier
8	3.50
10	2.25
15	1.00
20	.56

Photometric Data Isolinear Charts represent initial foot-candles based on a 175 watt metal halide lamp at a mounting height of 15 feet. Factor Tables are provided for other lamp and mounting height options.

Pappi HID Luminaires are warranted against defects in material and workmanship for two years. The ballast manufacturer provides a two year warranty. All warranties are limited to replacement and/or repair.

IES photometric files are available for download from our home page at www.pappilighting.com



Pappi Lighting

World Class Luminaires and Poles

Housing

Rugged anodizing quality extruded 6063 T6 aluminum Min 0.100" (2mm) max 0.470" (10mm) incorporating precision, internally welded with clamp joint construction.

Reflector

Constructed using high performance mirror polished anodized and sealed specular grade aluminum with a total reflectance no less than 96%. Multi stage optics are segmented, multi-faceted and rotatable in 90 degree increments. With a unique reflector design, uniformity in maximized and the 'hot spot' is reduced.

Lens / Frame

6063 T6 clear extruded aluminum. Servicing is made easy with an invisible self hinged design incorporating spring loaded tool-less latches. The standard flat tempered safety glass is fully encased with high temperature EPDM gasket. When glare-control is required an optional semi-transparent frosted glass is available

Electrical

High power factor ballasts rated to -30 Deg C (-20 Deg F). 4 KV rated medium base lamp holders are fixed to an aluminum heat-sink bracket and can be field adjusted for lamp center and rotation for position sensitive lamps.

Finish

Rugged, long life, oven baked polyester powder coatings utilizing multi-stage pre-treatment for outstanding adhesion. Optional Hard color anodizing provides a superior protection in hash and corrosive applications.

Lamping

Vertical Burn Position and medium base for all reflector types.

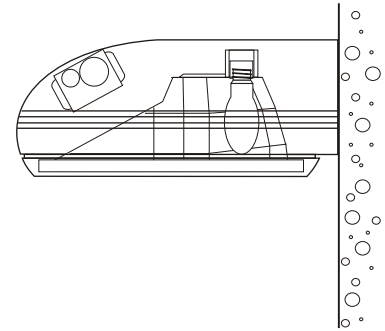
200w - 70MH Medium Base E-17
150w - 50 HPS Medium Base E-17

Warranty

A three year warranty against defects in material and workmanship. Lamp and ballast and ballast components is provided by manufacturer. All warranties are limited to replacement and/or repair.

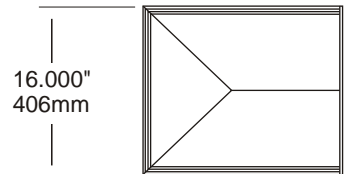
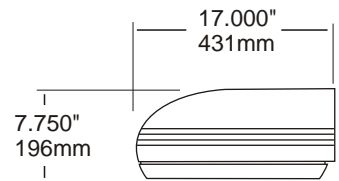
Aurapak Two

200 watt HID Full Cut-Off
Dark Skies Compliant
Wall Mounted Luminaire



Listed for Wet Location

Luminaire Dimensions



Lamp Wattage

	Pulse	Standard	
	200, MHP	175 MH	150HPS
	175 MHP	100MH	100HPS
	150 MHP	70MH	70HPS
		50MH	50HPS



Voltage

120, 208, 240, 277, 347, 480, 600
MT- 120/208/240/277 (US)
MT- 120/277/347 (CAN)



Distribution

Vert. lamp - III, II, FF



Lens

Flat Glass (LG)
Frosted Glass (FG)



Options

Photo Control (PC) 4" Mount Arm (AS4)
Quartz Restrike (Q) 6" Mount Arm (AS6)
Fuse(s) (F) 12" Mount Arm (AS12)
Modular Discon. (MD) Wire Guard (WG)
Clip n' Hang bracket (WMB)



Color / Finish

Powder Coating **Anodizing**
White (WHI) Clear (CLA)
Black (MBK) Black (MBA)
Bronze (BZS) Bronze (BZA)
Special (SPC)

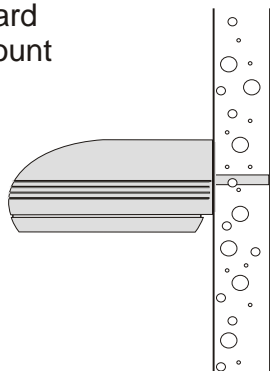


Pappi Lighting

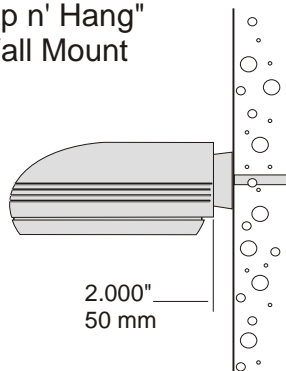
www.pappilighting.com

Tel: 888-453-1139 Fax: 866-720-3015

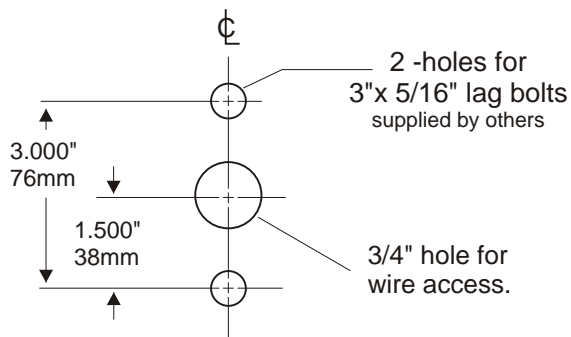
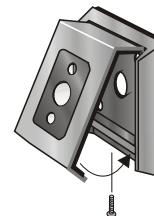
Standard Wall Mount



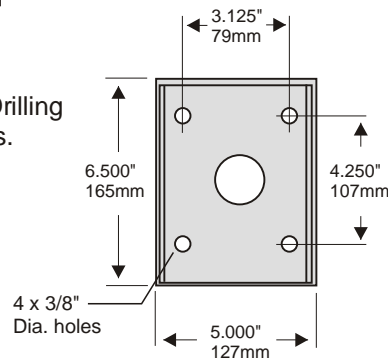
"Clip n' Hang" Wall Mount



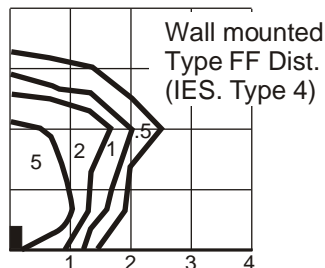
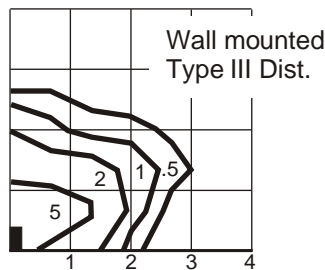
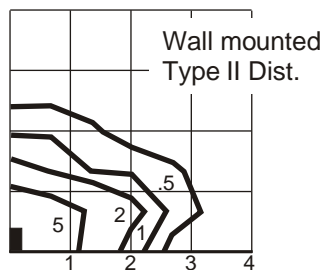
Weather tight aluminum Quick mount "Clip n' hang" wall bracket will accept all electrical connections.



Wall Drilling Details.



Photometric Information



Each box represents one mounting height.

Lamp Factor Table

Lamp	Lumens	Multiplier
35HPS	2250	.16
50HPS	4000	.29
70 HPS	6300	.45
100 HPS	9500	.68
150 HPS	16000	1.14
250 HPS	29000	2.07
35 MH	2500	.18
50 MH	3500	.25
70MH	5500	.39
100MH	9000	.64
175MH	14000	1.00
200MH	21000	1.50

Mounting Height Factor Table

Mounting Height	Multiplier
8	3.50
10	2.25
15	1.00
20	.56

Photometric Data Isolinear Charts represent initial footcandles based on a 175 watt metal halide lamp at a mounting height of 15 feet. Factor Tables are provided for other lamp and mounting height options.

Pappi HID Luminaires are warranted against defects in material and workmanship for two years. The ballast manufacturer provides a two year warranty. All warranties are limited to replacement and/or repair.

IES photometric files are available for download from our home page at www.pappilighting.com

Pappi Lighting reserves the right to make product changes without prior notification



Pappi Lighting

World Class Luminaires and Poles