

Housing

Rugged anodizing quality extruded 6063 T6 aluminum alloy Min 0.080" (2mm) max 0.410" (10mm) precision clamp joint construction providing superior strength and square edged corners. Aluminum top held captive within the integrated channel. Fully sealed with a direct injected silicone raceway.

Reflector

Constructed using high performance mirror polished anodized and sealed specular grade aluminum with a total reflectance no less than 95%. Multi stage optics are segmented, multi-faceted and rotatable in 90 degree increments. With a unique reflector design, uniformity is maximized and the 'hot spot' reduced.

Lens / Frame

6063 T6 clear extruded aluminum. Servicing is made easy with an invisible self-hinged design incorporating tool-less stainless steel latches. The standard flat tempered safety glass is fully encased with high temperature EPDM gasket. When glare-control is required an optional semi-transparent frosted tempered glass lens is available.

Finish

Rugged, long life, oven baked polyester powder coatings utilizing multi-stage pre-treatment for outstanding adhesion. Optional Hard color anodizing provides a superior protection in harsh and corrosive applications.

Electrical

High power factor ballasts rated to -30 Deg C (-20 Deg F). 4 KV rated medium base lamp holders are fixed to an aluminum heat-sink bracket and can be field adjusted for lamp center and rotation for position sensitive lamps.

Lamping

Medium base for all reflector types.
175w - 70MH Medium Base E-17
150w - 50 HPS Medium Base E-17

Warranty

A three year warranty against defects in material and workmanship. Lamp and ballast and ballast components warranties are provided by manufacturer. All warranties are limited to replacement and/ or repair.

Effective Projected Area:

E.P.A measured in sq/ft and includes an adjustable knuckle

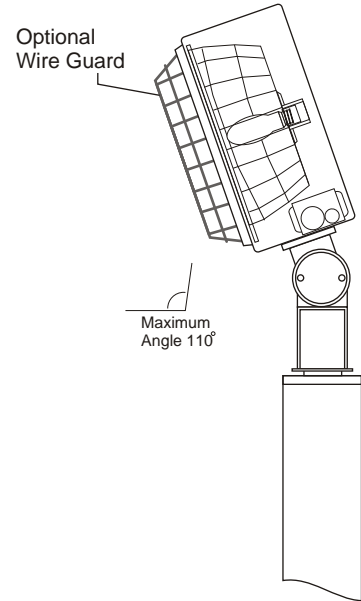
1 Fixture	1.35
2 Fixture	2.69
3 Fixture	3.07
4 Fixture	3.07



Listed for Wet Location

Square FL2

200 watt HID Full Cut-Off
Dark Skies Compliant
Pole Mounted Luminaire



SFL2

Lamp Wattage

175 MH 150HPS
100MH 100HPS
70MH 70HPS
50MH 50HPS



Voltage

120, 208, 240, 277, 347, 480, 600
MT- 120/208/240/277 (US)
MT- 120/277/347 (CAN)



Distribution

VS,- Square Throw
VE - Wide Throw



Lens

Flat Glass (LG)
Frosted Glass (FG)



Mounting

Surface Mount (SM)
Tenon Mount (TM)



Options

Photo Control (PC)
Quartz Restrike (Q)
Fuse(s) (F)
Wire Guard (WG)



Color / Finish

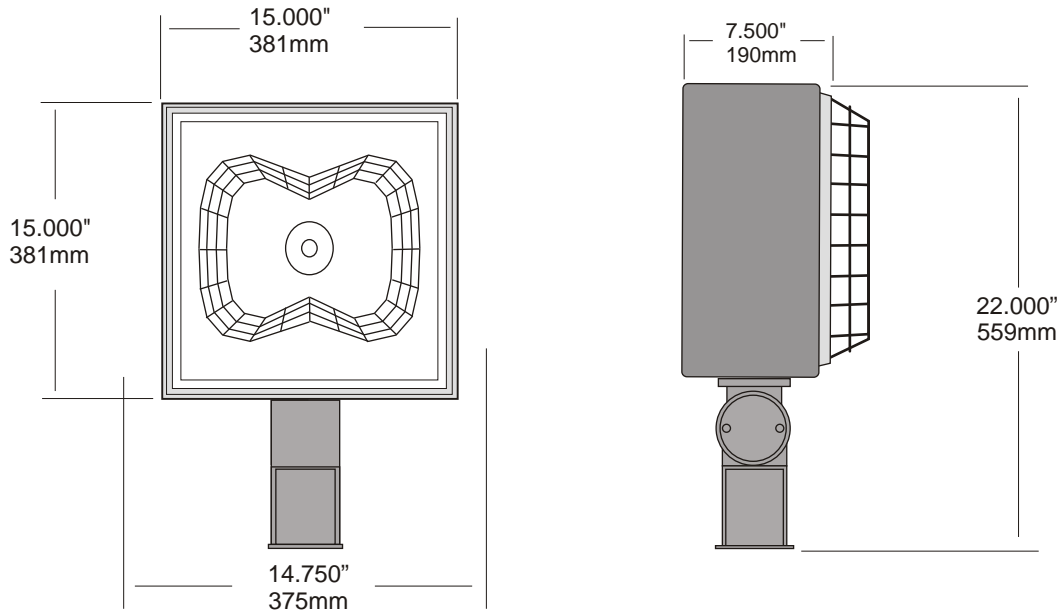
White (WHI)
Black (MBK)
Bronze (BZS)
Special (SPC)



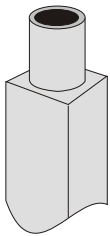
Pappi Lighting

Tel: 888-453-1139 Fax: 866-720-3015
www.pappilighting.com

Luminaire Dimensions

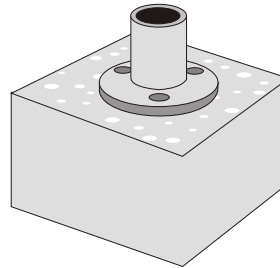


Mounting



Adjustable fitter designed for use with 2-3/8" O.D Tenon x 4" long

Tenon Mount

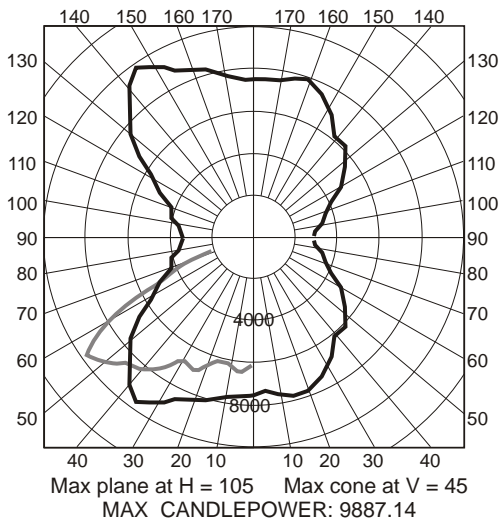


Rugged Die cast aluminum alloy fitter can be fastened with 3 5/16 inch fasteners. (not included)

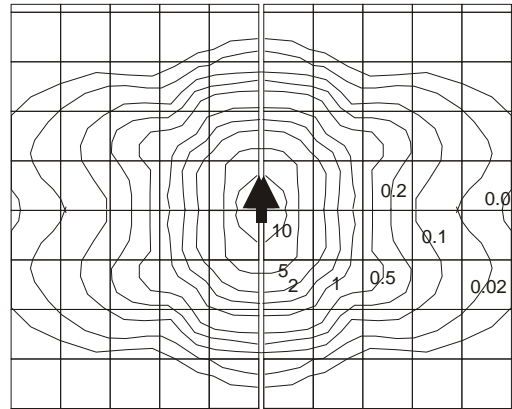
Surface Mount

Photometrics

PLANE & CONE DIAGRAM



ISO-ILLUMINANCE DIAGRAM (fc)



Mounting Height	Muliplier
10	4.00
15	1.78
20	1.00
25	0.64
30	0.44
35	0.33
40	0.25
45	0.19
50	0.16

Mounting Height = 20 ft. Each box represents one mounting height.

Lamp : 400w MH Bt37
Lumens: 32000
Tilt = none



Pappi Lighting

www.pappilighting.com

Tel: 888-453-1139 Fax: 866-720-3015

Pappi Lighting reserves the right to make product changes without prior notification