

Housing

Rugged Two-piece die cast aluminum alloy with integrated cooling fins for maximum heat dissipation. Die cast aluminum knuckle mount allowing 180 degrees of full adjustment and designed for use with standard 2 inch pipe (2-3/8 -OD)

Reflector

Constructed using hammer-tone anodized and sealed specular grade aluminum.

Lens / Frame

Impact and Thermal-shock resistant tempered safety glass lens encased with heavy silicone gasketing. Die cast aluminum door frame hinged on one side and held captive with 4 stainless steel fasteners.

Electrical

High power factor ballasts rated to -30 Deg C (-20 Deg F). 4 KV rated mogul base lamp holders with nickel plated screw shell and spring loaded center contact.

Finish

Rugged, long life, oven baked polyester powder coatings utilizing multi-stage pre-treatment for outstanding adhesion. Standard finish is back. Custom colors are available - consult factory -

Lamping

Medium base for all reflector types.

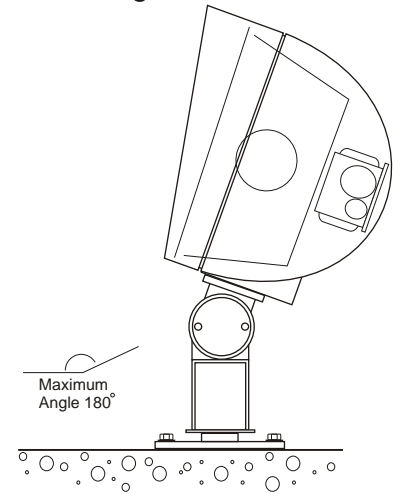
175w - 70MH Medium Base E-17
150w - 50 HPS Medium Base E-17

Warranty

A three year warranty against defects in material and workmanship. Lamp and ballast and ballast components warranties are provided by manufacturer. All warranties are limited to replacement and/ or repair.

Paraflood

175 watt HID Knuckle Mount, Adjustable Flood Light Luminaire



Effective Projected Area:

E.P.A measured in sq/ft and includes a knuckle

1 Fixture 1.09



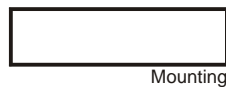
175mh 150hps
150mh 100hps
100mh 70 hps



MT- 120/208/240/277 (US)
MT- 120/277/347 (CAN)



Forward Throw Wide (HW)
Forward Throw Narrow (HN)
Forward Throw Wide (TW)
Forward Throw Narrow (TN)



Tenon Mount (TM)
Surface Mount (SM)



Wire Guard (WG)
Glare Shroud (SH))



Powder coat
Bronze (BZS)
White (BZS)
Special (SPC)

Surface Mount



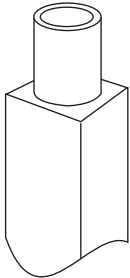
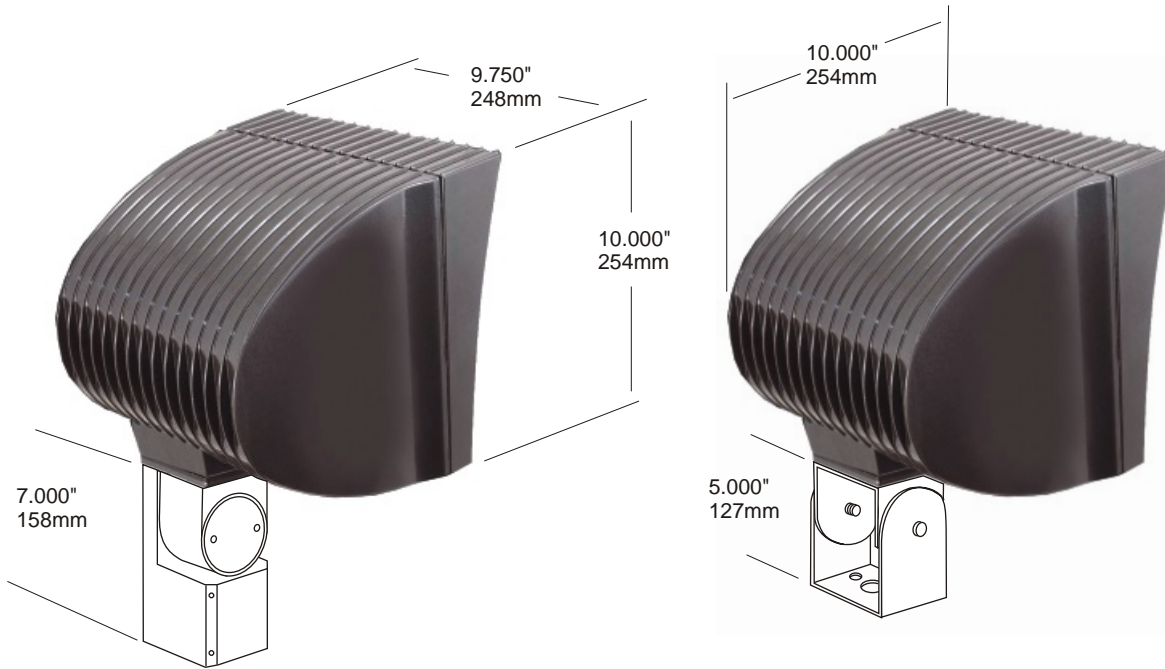
Tenon Mount



Pappi Lighting

www.pappilighting.com Tel: 888-453-1139 Fax: 866-720-3015

Luminaire Dimensions



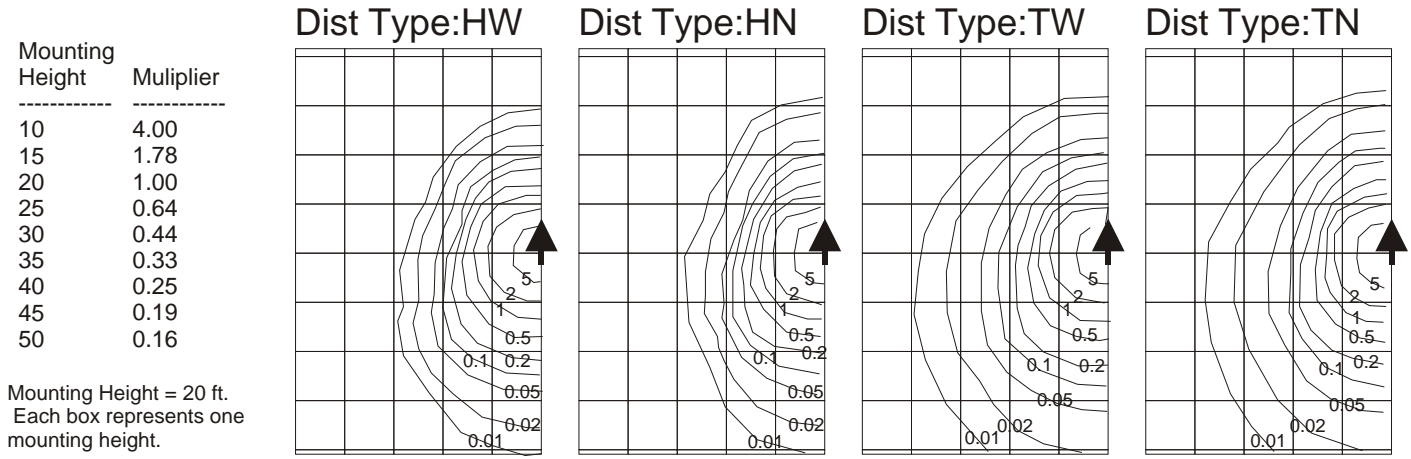
Tenon Mount

Adjustable fitter
Powder coated
to match fixture
designed for use
with 2-3/8" O.D
Tenon x 4" long

Surface Mount

Adjustable surface
mount bracket.
Powder coated to
match fixture.
Fasteners supplied
by others.

Photometrics



Mounting Height = 20 ft.
Each box represents one mounting height.

Lamp : 175w MH E17
Lumens: 14000
Tilt = none

ISO-ILLUMINANCE DIAGRAM (fc)



Pappi Lighting

www.pappilighting.com

Tel: 888-453-1139 Fax: 866-720-3015

Pappi Lighting reserves the right to make product changes without prior notification