

### Housing

Rugged die cast aluminum alloy with die cast aluminum knuckle allowing 180 degrees of full adjustment and designed to mount over a standard 2 inch pipe ( 2-3/8 inch OD.)

### Reflector

Constructed using high performance semi-specular formed aluminum for optimum uniformity and beam control.

### Lens / Frame

Impact and Thermal-shock resistant tempered safety glass lens encased with heavy duty RTV silicone. Die cast aluminum door frame hinged on one side and held captive with 2 stainless steel fasteners.

### Electrical

High power factor ballasts rated to -30 Deg C (-20 Deg F). 5 KV rated mogul base lamp holders with nickle plated screw shell and spring loaded center contact.

### Finish

Rugged, long life, oven baked polyester powder coatings utilizing multi-stage pre-treatment for outstanding adhesion.

### Lamping

Mogul base type..

400w - 255MH Mogul Base ED-28

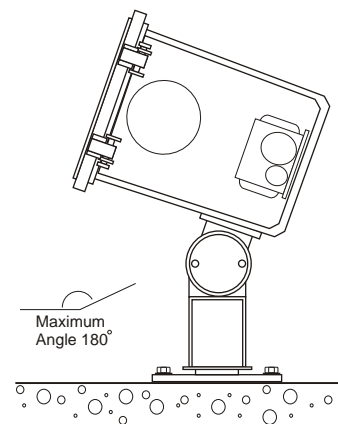
400w - 250 HPS Mogul Base ET-18

### Warranty

A three year warranty against defects in material and workmanship. Lamp and ballast and ballast components warranties are provided by manufacturer. All warranties are limited to replacement and/ or repair.

# Newark

400 watt HID Knuckle Mount, Adjustable Flood Light Luminaire



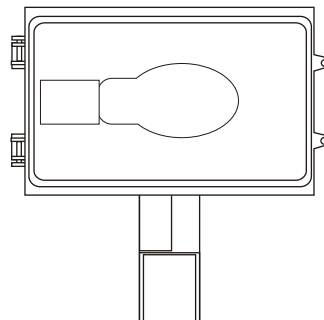
## Effective Projected Area:

E.P.A measured in sq/ft and includes a knuckle

1 Fixture 1.3



Listed for Wet Location



**NEWA**

Lamp

400mh 400hps  
250mh 250hps  
175mh 150hps

Voltage

120, 208, 240,  
277, 347,

Mounting

Pole Mount (PM)  
Surface Bracket (SM)

Options

Photo Control (PC)  
Fuse(s) (F)

Color / Finish

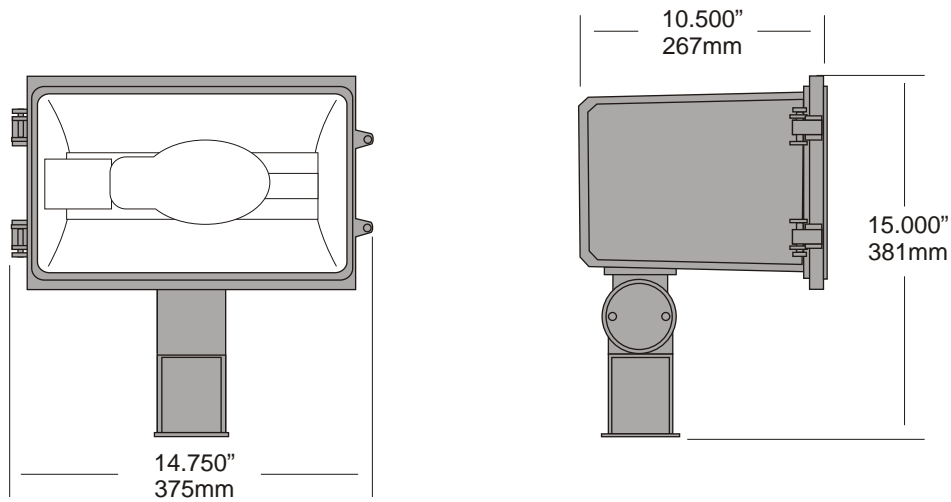
**Powder coat**  
White (WHI)  
Bronze (BZS)  
Special (SPC)



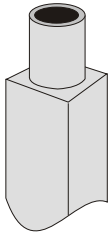
**Pappi Lighting**

www.pappilighting.com Tel: 888-453-1139 Fax: 866-720-3015

## Luminaire Dimensions

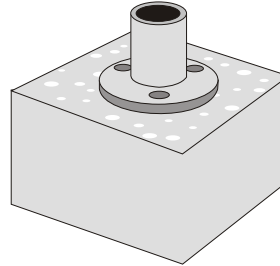


## Mounting



Adjustable fitter designed for use with 2-3/8" O.D Tenon x 4" long

### Tenon Mount

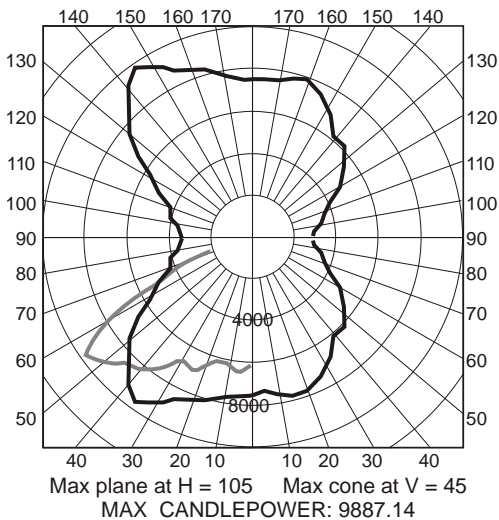


Rugged Die cast aluminum alloy fitter can be fastened with 3 5/16 inch fasteners. (not included)

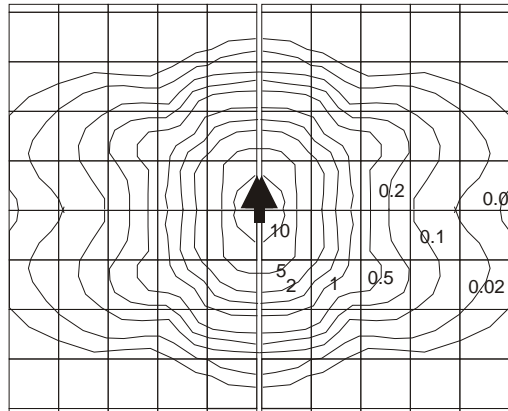
### Surface Mount

## Photometrics

PLANE & CONE DIAGRAM



ISO-ILLUMINANCE DIAGRAM (fc)



Mounting Height	Muliplier
10	4.00
15	1.78
20	1.00
25	0.64
30	0.44
35	0.33
40	0.25
45	0.19
50	0.16

Mounting Height = 20 ft. Each box represents one mounting height.

Lamp : 400w MH Bt37  
Lumens: 32000  
Tilt = none



**Pappi Lighting**

www.pappilighting.com

Tel: 888-453-1139 Fax: 866-720-3015

Pappi Lighting reserves the right to make product changes without prior notification