

Housing

Extruded 6063 T6 aluminum in standard lengths to 8'. Longer runs and complex layouts easily accomplished with internal joining system and precision mitred corners.

Reflector

Specular linear parabolic reflector. Clear flat acrylic 0.100" (2.54mm) held captive by integral extruded raceway.

Lens

Clear flat acrylic 0.100" (2.54mm) fully gasketed held in extruded aluminum frame. Self-hinged door opens to 180 degrees and is removable.

Finish

For long life, oven baked acrylic enamel coatings utilizing four stage zinc chromate treatment are supplied as standard. Hard color anodizing is optional.

Electrical

Magnetic T-12 and Electronic ballast housed in an extruded weather proof aluminum enclosure rated to -20 deg F (-30 deg C). T-12 HO. Lamp-holders are spring type. T-5 Lamp operation utilize electronic ballast mounted internally utilizing T-5 Miniature Bi-Pin lamp-holders Leads extending 5' from the luminaire for all lamp types

Lamping

T-12 HO, CW fluorescent T-8, T-5 HO fluorescent lamps are factory installed and tested for operation.

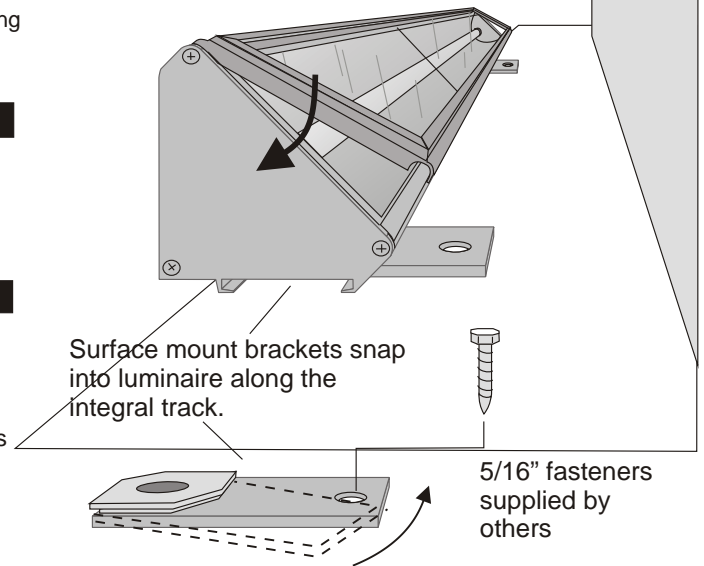
Warranty:

Lo-Pro Luminaires are warranted against defects in material and workmanship for three years. Ballast manufacturer provides a two year warranty. All warranties are limited to replacement and/or repair.

Lo-Pro HD Surface Mount

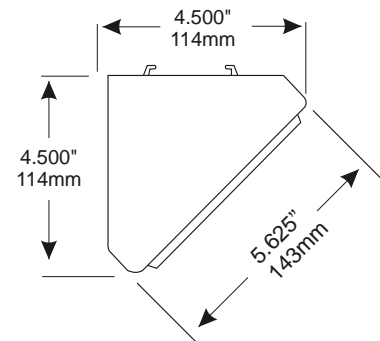
Integrated Linear Continuous Surface illumination

For Exterior Up-Light Use.



Catalog Code

Lengths	Lamp type	Voltage	Color / Finish
LPHD 08 LPHD 06 LPHD 04	Single T12 HO. T5 Twin 2xT5	120 277 347	White (WHI) Black (MBK) Bronze (BZS) Special (SPC) Anodizing Clear (CLA) Black (MBA) Bronze (BZA)
	Mounting		
	SM		



Options

Outside Corner 90 deg. (MCO)	Extended Wire (EW)
Inside Corner 90 deg. (MCI)	Adjustable Brkt. (2165)
Special Corner (MCS)	Prismatic Lens (2164)
Extended Support Arms (2116)	

<input type="checkbox"/>	<input type="checkbox"/>	<input type="checkbox"/>
--------------------------	--------------------------	--------------------------

Starter Kit

Canopy (CM)
Wall (WM)
Surface (SM)
Pendant (PM)

Starter Kit - must be included into each run of Lo-Pro lighting (Individual or multiple luminaires). A Starter-Kit contains required end-plates and mounting hardware necessary to complete each run.

SK-

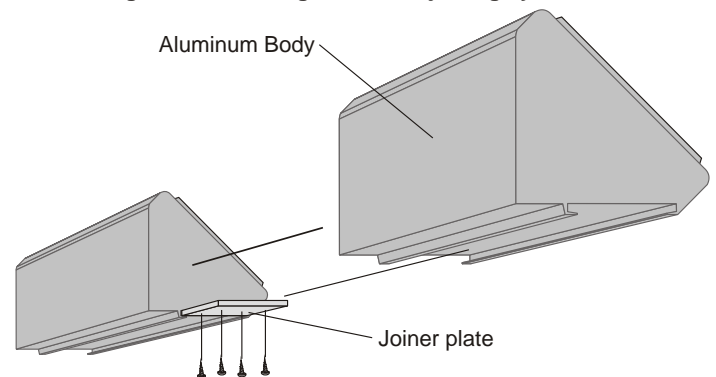
<input type="checkbox"/>



Listed for Wet Location

Pappi Lighting reserves the right to make product changes for improvement without prior notice

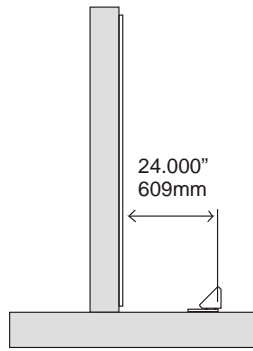
Weather tight 'NO-SAG' alignment and joining system



Pappi Lighting

www.pappilighting.com Tel: 888-853-1139 Fax: 866-720-3015

One LO-PRO fixture 16' long c/w 2x8' x T12 HO cool white lamps. Luminaire mounting 2' from the wall. All values in foot-candles and are initial with no light loss factor. Point by point spacing based on a 2' x 2' grid.



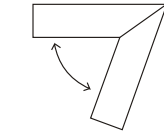
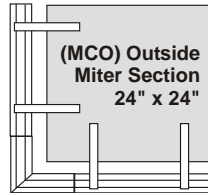
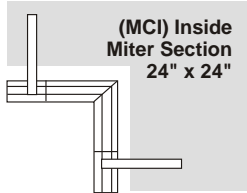
Point by point spacing based on a 2' x 2' grid.

3.47	4.24	4.85	5.23	5.36	5.23	4.85	4.24	3.47	
5.93	7.47	8.67	9.39	9.63	9.39	8.67	7.47	5.93	
11.5	15.0	17.6	19.1	19.6	19.1	17.6	15.0	11.5	
26.7	36.1	42.8	45.9	46.8	45.9	42.8	36.1	26.7	10.000' 3048mm
76.8	108	129	135	136	135	129	108	76.8	
72.8	104	125	129	129	129	125	104	72.8	

Lo-Pro Options

Corners

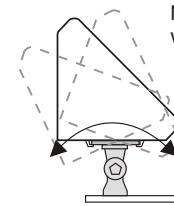
Precision mitred joints make complex layouts simple. Mitres can be pre-cut-to-length in the factory or on the jobsite.



(MCS) Special Custom corners are Available

Lo-Pro Adjustable Brackets

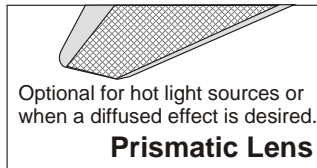
Not for use with corner sections.



CAT # 2165

Extended Wire

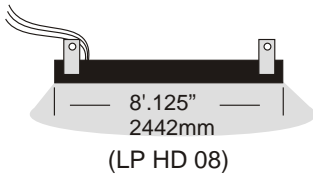
Standard wire will extend 5' from luminaire. Optional wire length will extend 12' for remote applications



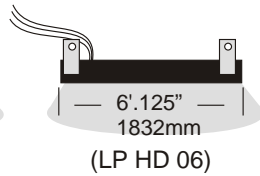
Optional for hot light sources or when a diffused effect is desired.

Prismatic Lens

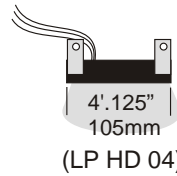
Standard Luminaire sizes available *custom sizes upon request*



(LP HD 08)



(LP HD 06)



(LP HD 04)

Wiring Access hole is located 3" from one end of the luminaire.

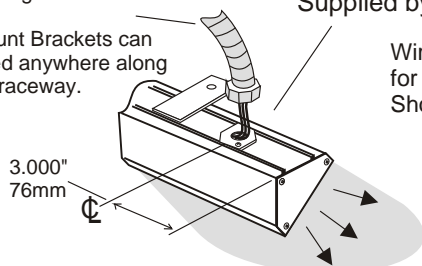
Mounting Information

Twist-in-brackets tapped to fit 1/2" pipe hangers.

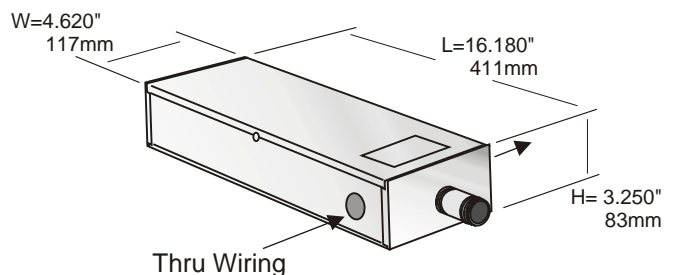
Surface Mount Brackets can be positioned anywhere along the integral raceway.

1/2" NPT Flex Connectors Supplied by others.

Wiring Point location for LP,8, LP6, Lp4. Shown



Ballast Enclosure Dimensions.



Required For T-12 applications or when remote mounting is specified.

Housing

Extruded 6063 T6 aluminum in standard lengths to 8'. Longer runs and complex layouts easily accomplished with internal joining system and precision mitred corners.

Reflector

Specular linear parabolic reflector. Clear flat acrylic 0.100" (2.54mm) held captive by integral extruded raceway.

Lens

Clear flat acrylic 0.100" (2.54mm) fully gasketed held in extruded aluminum frame. Self-hinged door opens to 180 degrees and is removable.

Finish

For long life, oven baked acrylic enamel coatings utilizing four stage zinc chromate treatment are supplied as standard. Hard color anodizing is optional.

Electrical

Magnetic T-12 and Electronic ballast housed in an extruded weather proof aluminum enclosure rated to -20 deg F (-30 deg C). T-12 HO. Lamp-holders are spring type, T-5 Lamp operation utilize electronic ballast mounted internally utilizing T-5 Miniature Bi-Pin lamp-holders. Leads are extending 5' from the luminaire for all lamp types

Lamping

T-12 HO, CW fluorescent T-8, T-5 HO fluorescent lamps are factory installed and tested for operation.

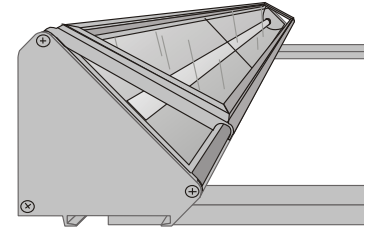
Warranty:

Lo-Pro Luminaires are warranted against defects in material and workmanship for three years. Ballast manufacturer provides a two year warranty. All warranties are limited to replacement and/or repair.

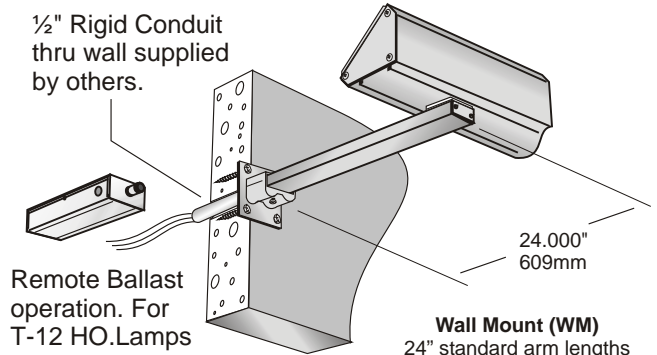
Lo-Pro HD. Wall Mount

Integrated Linear Continuous Surface illumination

For Exterior Up-Light Use.



1/2" Rigid Conduit thru wall supplied by others.

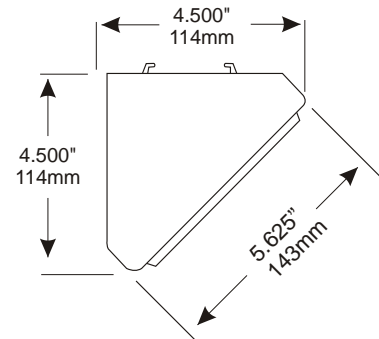


Remote Ballast operation. For T-12 HO.Lamps

Wall Mount (WM)
24" standard arm lengths

Catalog Code

Lengths	Lamp type	Voltage	Color / Finish
LPHD 08 LPHD 06 LPHD 04	Single T12 HO. T5 Twin 2xT5	120 277 347	White (WHI) Black (MBK) Bronze (BZS) Special (SPC) Anodizing Clear (CLA) Black (MBA) Bronze (BZA)
	Mounting		
	WM		



Options

Outside Corner 90 deg. (MCO)	Extended Wire (EW)
Inside Corner 90 deg. (MCI)	Prismatic Lens (2164)
Special Corner (MCS)	
Extended Support Arms (2116)	
<input type="checkbox"/>	<input type="checkbox"/>

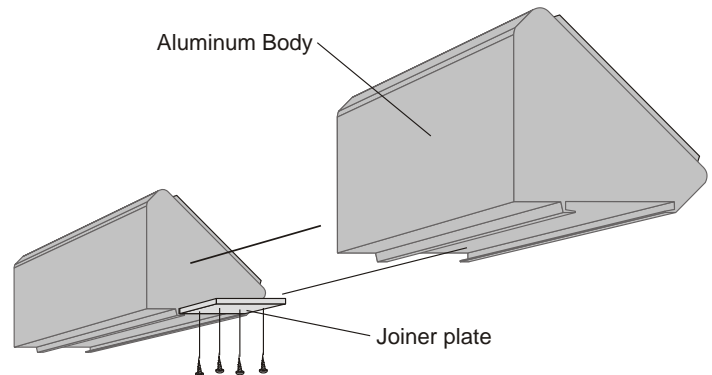
Starter Kit

Canopy (CM)
Wall (WM)
Surface (SM)
Pendant (PM)

SK-

Starter Kit - must be included into each run of Lo-Pro lighting (Individual or multiple luminaires). A Starter-Kit contains required end-plates and mounting hardware necessary to complete each run.

Weather tight 'NO-SAG' alignment and joining system



Listed for Wet Location

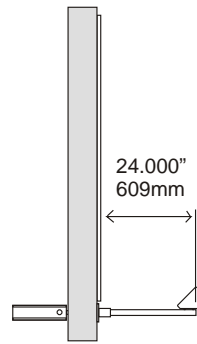
Pappi Lighting reserves the right to make product changes for improvement without prior notice



Pappi Lighting

www.pappilighting.com Tel: 888-853-1139 Fax: 866-720-3015

One LO-PRO fixture 16' long c/w T12 HO cool white lamps. Luminaire mounting 2' from the wall. All values in foot-candles and are initial with no light loss factor. Point by point spacing based on a 2' x 2' grid.



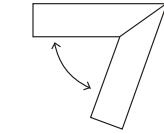
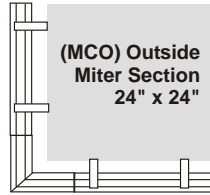
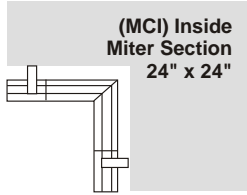
Point by point spacing based on a 2' x 2' grid.

3.47	4.24	4.85	5.23	5.36	5.23	4.85	4.24	3.47	
5.93	7.47	8.67	9.39	9.63	9.39	8.67	7.47	5.93	
11.5	15.0	17.6	19.1	19.6	19.1	17.6	15.0	11.5	
26.7	36.1	42.8	45.9	46.8	45.9	42.8	36.1	26.7	10.000' 3048mm
76.8	108	129	135	136	135	129	108	76.8	
72.8	104	125	129	129	129	125	104	72.8	

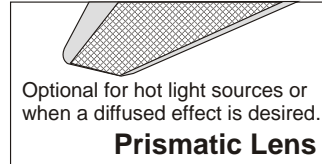
Lo-Pro Options

Corners

Precision mitered joints make complex layouts simple. Mitres can be pre-cut-to-length in the factory or on the jobsite.



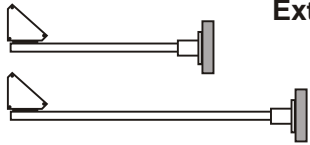
(MCS) Special Custom corners are Available



Optional for hot light sources or when a diffused effect is desired.

Prismatic Lens

Extended Support Arms



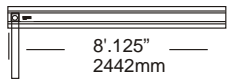
3' Long mounting arms provide additional illumination to other areas of wall

Extended Wire

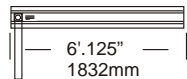
Standard wire will extend 5' from luminaire. Optional wire length will extend 12' for remote applications

Standard Luminaire sizes available *custom sizes upon request*

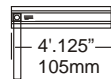
(LP HD 08)



(LP HD 06)



(LP HD 04)

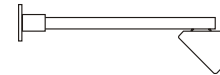


(SKWM - Starter Kit)

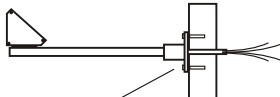
- 1 - Mounting Arm
- 2 - Wall Mount Bracket

Luminaire includes one mounting arm and wall bracket.

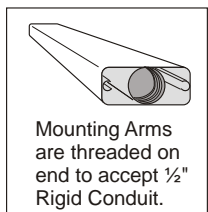
Wiring Access hole is located 3" from one end of the luminaire.



Mounting Information

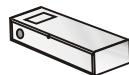


Wall Brackets require 4 - 5/16" fasteners and anchors as required by Provincial, State or local codes.

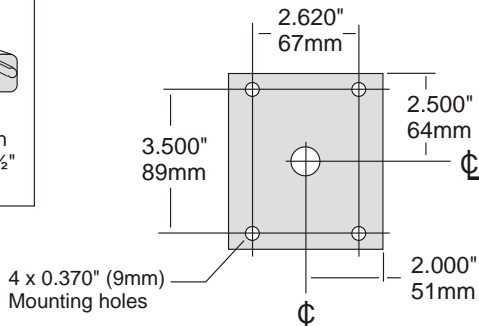


Mounting Arms are threaded on end to accept 1/2" Rigid Conduit.

Remote Ballast operation.



Aluminum ballast enclosures are tapped to accept 1/2" connectors and are drilled for thru wiring applications.



Contact factory for any layout and/or mounting assistance

Maximum available span based on Building Codes of Ontario 97 and UBC. It could be used for any province in Canada or in any State of USA.

Maximum available span S [ft] between arms as function of support arm's length L [in]				
L	18"	24"	36"	48"
S	12'	8'	6'	4'