

**Housing**

Rugged anodizing quality extruded 6005 T5 Support shaft and cross arm. Die cast aluminum, removable top cap held captive with multiple stainless steel fasteners. Heavy wall 1100 series spun aluminum ornamental housing internally fastened with sealed optical chamber.

**Reflector**

Constructed using high performance mirror polished anodized and sealed specular grade aluminum with a total reflectance no less than 96%. Multi stage optics are segmented, multi-faceted and rotatable in 90 degree increments. With a unique reflector design, uniformity in maximized and the 'hot spot' is reduced.

**Lens / Frame**

6063 T6 clear extruded aluminum. held captive with three stainless steel fasteners. The flat tempered safety glass is fully encased with high temperature EPDM gasket. When glare-control is required an optional semi-transparent frosted tempered glass lens is available.

**Electrical**

High power factor ballasts rated to -30 Deg C (-20 Deg F). 4 KV rated medium base lamp holders are fixed to an aluminum heat-sink bracket and can be field adjusted for lamp center and rotation for position sensitive lamps.

**Finish**

Rugged, long life, oven baked polyester powder coatings utilizing multi-stage pre-treatment for outstanding adhesion.

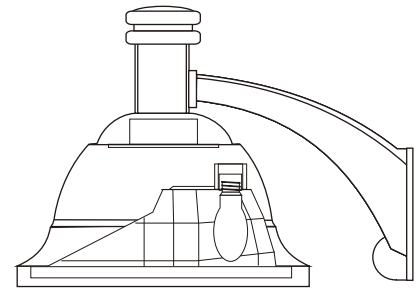
**Lamping**

Vertical Burn Position and medium base for all reflector types.  
200w - 70MH Medium Base E-17  
150w - 50 HPS Medium Base E-17

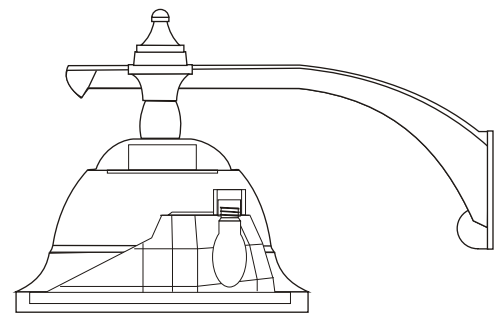
**Warranty**

A three year warranty against defects in material and workmanship. Lamp and ballast and ballast components is provided by manufacturer. All warranties are limited to replacement and/or repair.

**Orion**  
200 watt HID Full Cut-Off  
Dark Skies Compliant  
Pole Mounted Luminaire



**ORO1**



**ORO2**

E.P.A measured in sq/ft and includes a mounting arm

- 1 Fixture 2.33
- 2 Fixture 4.70



Listed for Wet Location



Lamp Wattage

	Pulse	Standard	
200,MHP	175 MH	150HPS	
175 MHP	100MH	100HPS	
150MH	70MH	70HPS	
	50MH	50HPS	



Voltage

120, 208, 240, 277, 347, 480, 600  
MT- 120/208/240/277 (US)  
MT- 120/277/347 (CAN)



Distribution

VS, VE, VR, III, II, FF-(IES Type 4)



Lens

Flat Glass (LG) Frosted Glass (FG)



Mounting

Pole Mount (PM) Wall Mount (WM)  
Single Slipfitter (FT1)  
Twin Slipfitter @ 90 (FT2-90)  
Twin Slipfitter @ 180 (FT2-180)  
Triple Slipfitter@ 120 (FT3)  
Quad Slipfitter (FT4)



Options

4" Pole Mount Arm (AS4) Quartz Restrike (Q)  
6" Pole Mount Arm (AS6) Fuse(s) (F)  
12" Pole Mount Arm (AS12) Modular Discon. (MD)  
Photo Control (PC) House Side Shield (HS)



Color / Finish

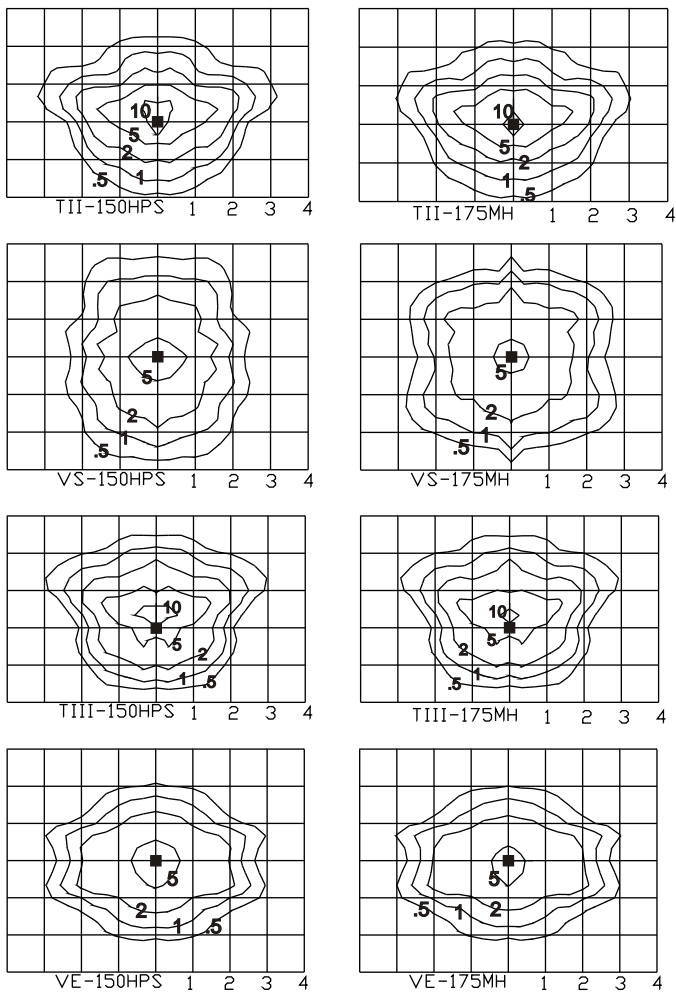
**Powder Coating**  
White (WHI) Bronze (BZS)  
Black (MBK) Special (SPC)



**Pappi Lighting**

www.pappilighting.com Tel: 888-453-1139 Fax: 866-720-3015

### Photometric Information



#### Lamp Factor Table

Lamp	Lumens	Multiplier
35HPS	2250	.16
50HPS	4000	.29
70 HPS	6300	.45
100 HPS	9500	.68
150 HPS	16000	1.14
250 HPS	29000	2.07
35 MH	2500	.18
50 MH	3500	.25
70MH	5500	.39
100MH	9000	.64
175MH	14000	1.00
200MH	21000	1.50

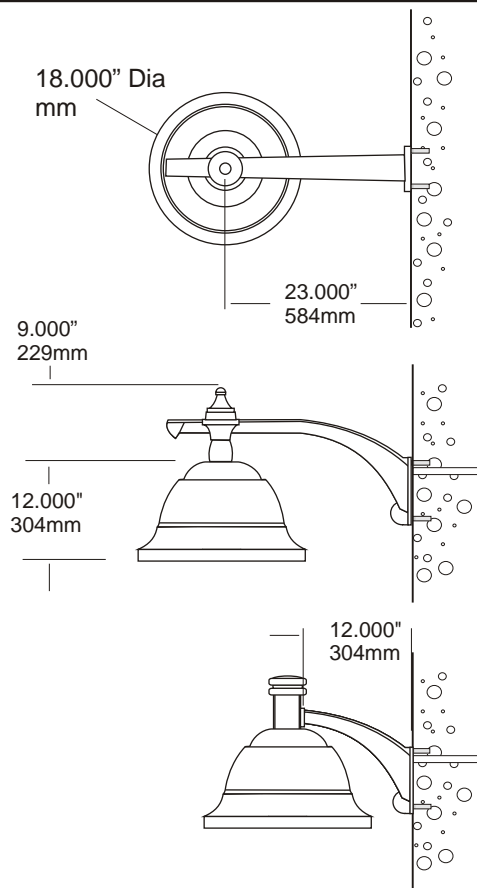
Photometric values are initial and measured in foot candles. Grid spacing = Mounting height

*IES photometric files are available for download from our home page at [www.pappilighting.com](http://www.pappilighting.com)*

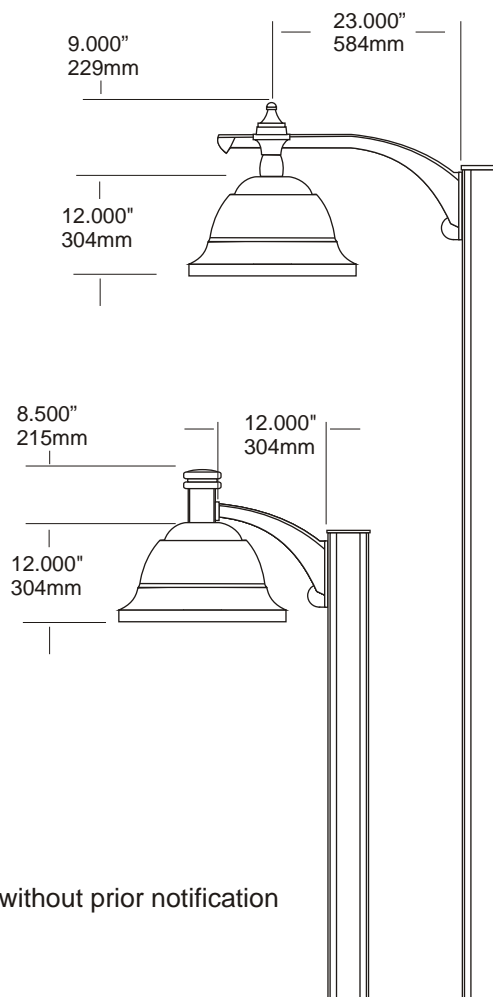
#### Mounting Height Factor Table

Mounting Height	Multiplier
8	3.50
10	2.25
15	1.00
20	0.56
24	0.39

### Wall Mounting Information



### Pole Mount Information



**Pappi Lighting**

Pappi Lighting reserves the right to make product changes for improvement without prior notification