

### Housing

Rugged anodizing quality extruded 6063 T6 aluminum Min 0.100" (2mm) max 0.470" (10mm) side wall. Formed heavy wall aluminum hood fully welded. Aluminum yoke bar is adjustable to 60 degrees and is locked in place with stainless steel fasteners. Feed wiring is externally mounted via braided stainless steel lines and fittings. Extruded aluminum finned, heat-sink removable ballast door provides cooling effect and increased ballast life.

### Reflector

Constructed using high performance mirror polished anodized and sealed specular grade aluminum with a total reflectance no less than 95%. Multi stage optics are segmented, multi-faceted and rotatable in 90 degree increments. With a unique reflector design, uniformity in maximized and the 'hot spot' is reduced.

### Lens / Frame

6063 T6 clear extruded aluminum. Servicing is made easy with an invisible self hinged design incorporating tool-less stainless steel latches. The standard flat tempered safety glass is fully encased with high temperature EPDM gasket. When glare-control is required an optional semi-transparent frosted tempered glass lens is available.

### Electrical

High power factor ballasts rated to -30 Deg C (-20 Deg F). 4 KV rated medium base lamp holders are fixed to an aluminum heat-sink bracket and can be field adjusted for lamp center and rotation for position sensitive lamps.

### Finish

Rugged, long life, oven baked polyester powder coatings utilizing multi-stage pre-treatment for outstanding adhesion.

### Lamping

Vertical Burn Position and medium base for all reflector types.  
200w - 70MH Medium Base E-17  
150w - 50 HPS Medium Base E-17

### Warranty

A three year warranty against defects in material and workmanship. Lamp and ballast and ballast components warranties are provided by manufacturer. All warranties are limited to replacement and/ or repair.

E.P.A measured in sq/ft

and includes a mounting yoke

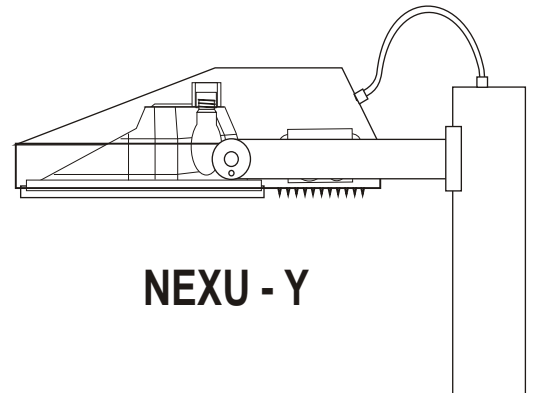
1 Fixture	1.32
2 Fixture	2.64
3 Fixture	3.96



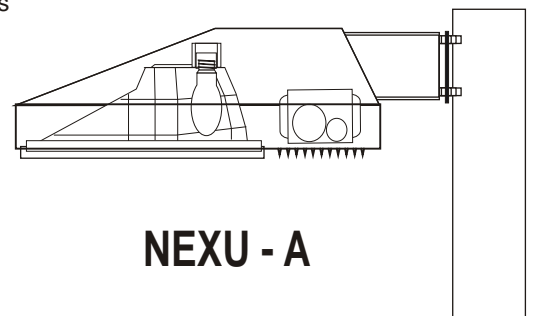
Listed for Wet Location

# Nexus

200 watt HID Full Cut-Off  
Dark Skies Compliant \*  
Pole Mounted Luminaire



NEXU - Y



NEXU - A

### NEXU - Y/A



Lamp Wattage

	Pulse	Standard	
	200,MHP	175 MH	150HPS
	175 MHP	100MH	100HPS
	150 MHP	70MH	70HPS
		50MH	50HPS



Voltage

120, 208, 240, 277, 347, 480, 600  
MT- 120/208/240/277 (US)  
MT- 120/277/347 (CAN)



Distribution

Vert. lamp - III, II, FF



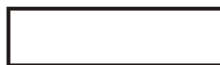
Lens

Flat Glass (LG)  
Frosted Glass (FG)



Mounting

Pole Mount Arm (PM)  
Wall Mount (WM)  
Single Slipfitter (FT1)  
Twin Slipfitter @ 180 (FT2-180)  
Twin Slipfitter (FT2-BH)  
Triple Slipfitter (FT3-BH)



4" Pole Mount Arm (AS4)  
6" Pole Mount Arm (AS6)  
12" Pole Mount Arm (AS12)  
Photo Control (PC)  
Quartz Restrike (Q)  
Fuse(s) (F)  
Modular Discon. (MD)  
House Side Shield (HS)



Options



Color / Finish

**Powder Coating**  
White (WHI)  
Black (MBK)  
Bronze (BZS)  
Special (SPC)



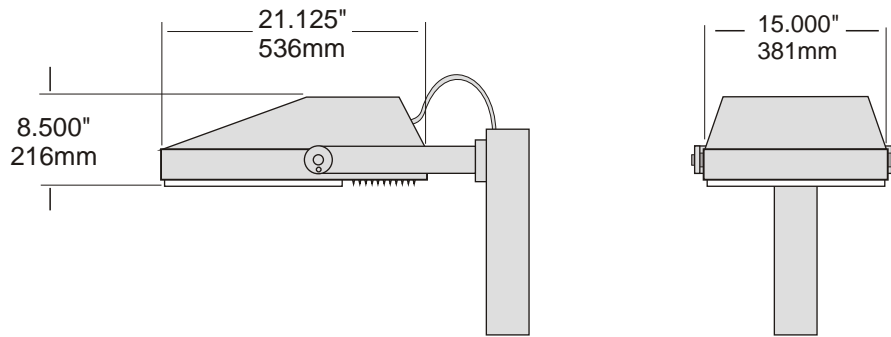
\* Only Dark-Skies compliant when not tilted.



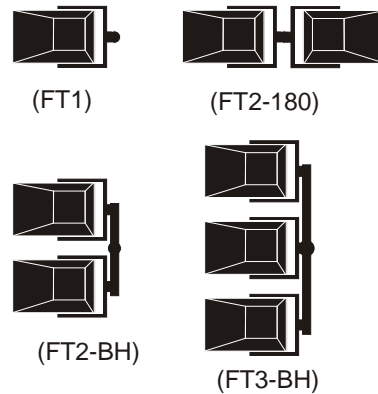
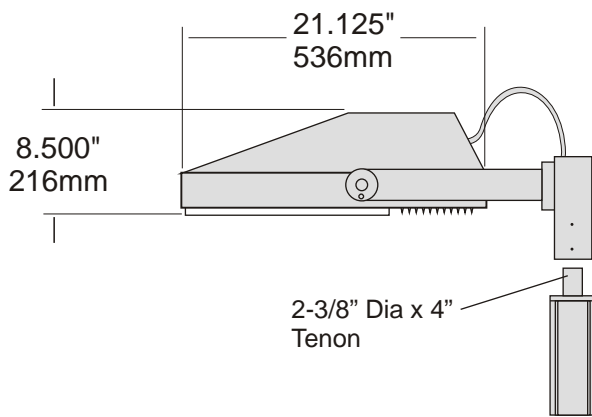
**Pappi Lighting**

www.pappilighting.com Tel: 888-453-1139 Fax: 866-720-3015

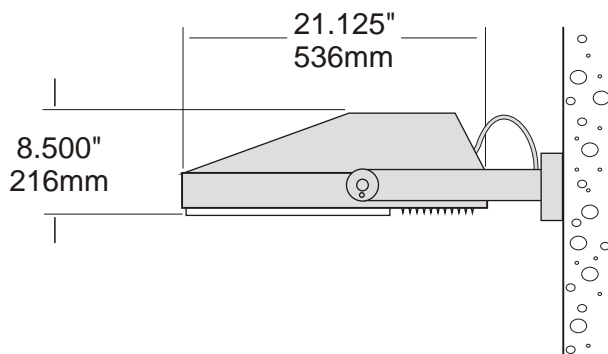
### Pole Mount



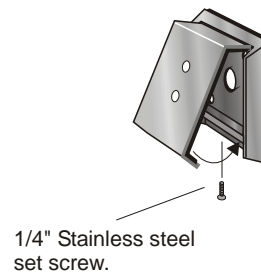
### Slipfitter Mount



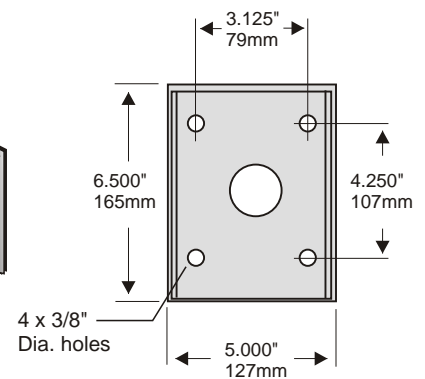
### Wall Mount



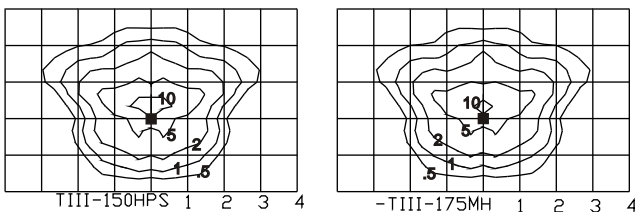
#### Clip n' Hang Wall Bracket



#### Drilling Details



## Photometric Data



#### Wedgform Two mounting height Multiplier.

Height	8'	10'	12'	15'	18'	20'	24'
Multiplier	3.51	2.25	1.56	1	0.69	0.56	0.39

Photometric values are initial and measured in foot candles.  
Grid spacing = Mounting height

