

**Housing**

Rugged anodizing quality extruded 6063 T6 aluminum alloy Min 0.080" (2mm) max 0.410" (10mm) precision clamp joint construction providing superior strength and square edged corners. Aluminum top held captive within the integrated channel. Fully sealed with a direct injected silicone raceway.

**Reflector**

Constructed using high performance mirror polished anodized and sealed specular grade aluminum with a total reflectance no less than 95%. Multi stage optics are segmented, multi-faceted and rotatable in 90 degree increments. With a unique reflector design, uniformity is maximized and the 'hot spot' reduced.

**Lens / Frame**

6063 T6 clear extruded aluminum. Servicing is made easy with an invisible self-hinged design incorporating tool-less stainless steel latches. The standard flat tempered safety glass is fully encased with high temperature EPDM gasket. When glare-control is required an optional semi-transparent frosted tempered glass lens is available.

**Finish**

Rugged, long life, oven baked polyester powder coatings utilizing multi-stage pre-treatment for outstanding adhesion. Optional Hard color anodizing provides a superior protection in harsh and corrosive applications.

**Electrical**

High power factor ballasts rated to -30 Deg C (-20 Deg F). 5 KV rated mogul base lamp holders are fixed to an aluminum heat-sink bracket and can be field adjusted for lamp center and rotation for position sensitive lamps.

**Lamping**

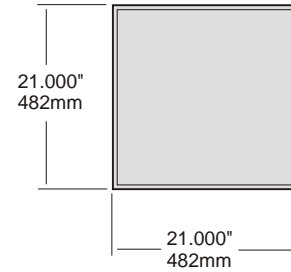
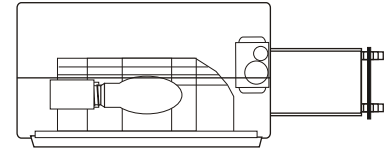
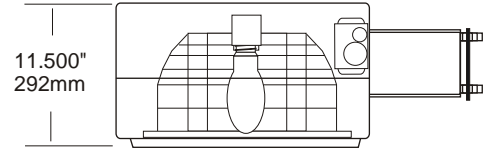
Vertical and horizontal burn position and mogul base for all reflector types.  
 400w - 175MH Mogul Base ED-28  
 400w - 200 HPS Mogul Base ET-18

**Warranty**

A three year warranty against defects in material and workmanship. Lamp and ballast and ballast components warranties are provided by manufacturer. All warranties are limited to replacement and/ or repair.

# Midsquare 11

400 watt HID Full Cut-Off  
 Dark Skies Compliant \*  
 Pole Mounted Luminaire



**Effective Projected Area:**

E.P.A measured in sq/ft and includes a 10" mounting arm.

- 1 Fixture 2.29
- 2 Fixture 4.58
- 3 Fixture 5.72
- 4 Fixture 5.72



Listed for Wet Location



Lamp Wattage

	Pulse	Standard	
400, MHP	400 MH	400HPS	
320 MHP	250MH	250HPS	
250 MHP	175MH	200HPS	
175 MHP			



Voltage

120, 208, 240, 277, 347, 480, 600  
 MT- 120/208/240/277 (US)  
 MT- 120/277/347 (CAN)



Distribution

VQ, FF, III, II - Horizontal lamp  
 VS ( IES type 5) - Vertical Lamp



Lens

Flat Glass (LG)  
 Frosted Glass (FG)



Mounting

Surface Mount (SM) Single Slipfitter (FT1)  
 Pole Mount (PM) Twin Slipfitter @ 180 (FT2-180)  
 Wall Mount (WM) Twin Slipfitter (FT2-BH)  
 Yoke Mount (YM) Triple Slipfitter (FT3-BH)



Options

4" Pole Mount Arm (AS4) Quartz Restrike (Q)  
 6" Pole Mount Arm (AS6) Fuse(s) (F)  
 12" Pole Mount Arm (AS12) Modular Discon. (MD)  
 Photo Control (PC) House Side Shield (HS)



Color / Finish

**Powder coat** White (WHI) **Anodizing** Clear (CLA)  
 Black (MBK) Black (MBA)  
 Bronze (BZS) Bronze (BZA)  
 Special (SPC)



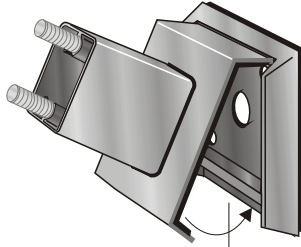
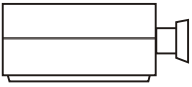
**Pappi Lighting**

Tel: 888-453-1139 Fax: 866-720-3015  
 www.pappilighting.com

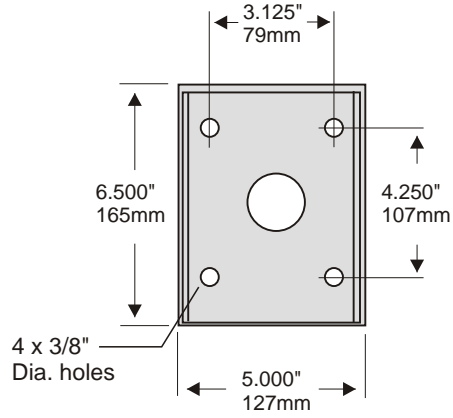
Mid Square 11 Luminaire

**Wall Mount**

"Clip n' Hang" feature

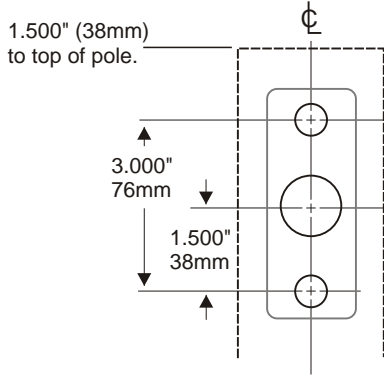
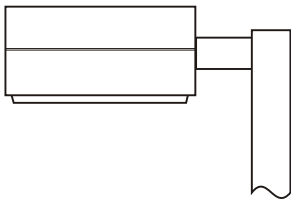


1/4" Stainless steel set screw.



**Pole Mount**

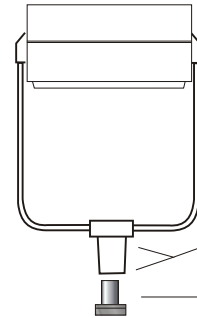
12" and 4" arm available.



2- 7/16" (11mm) hole to accept 3/8" threaded rod.

3/4" hole for wire access.

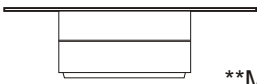
22.000" 558mm



Stainless steel set screws.

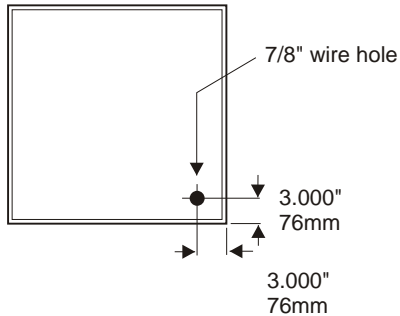
2-3/8" Tennon

**Photometrics**



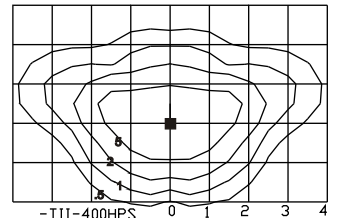
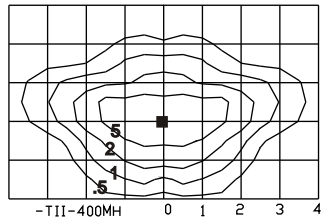
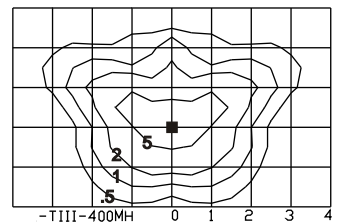
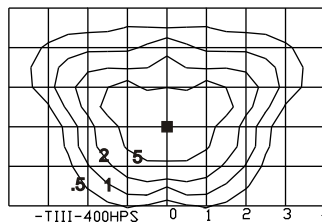
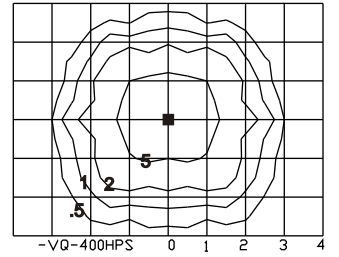
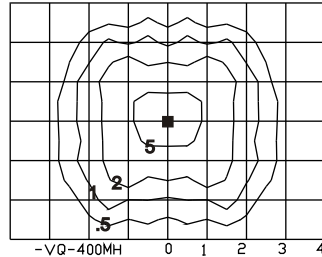
**Surface Mount**

\*\*Mounting hardware by others



IES photometric files are available for download from our home page at [www.pappilighting.com](http://www.pappilighting.com)

Pappi HID Luminaires are warranted against defects in material and workmanship for three years. The ballast manufacturer provides a two year warranty. All warranties are limited to replacement and/or repair.



Horizontal Photometrics shown. Consult factory for vertical lamp information  
**Mounting height Multiplier. for 400w MH Max.**

Height	8'	15'	18'	20'	24'	28'	30'
Multiplier	3.51	1.77	1.23	1	0.69	0.51	0.44

Mounting Height = 20 ft. Each box represents one mounting height.

Pappi Lighting reserves the right to make product changes for improvement without prior notification