

### Housing

Rugged anodizing quality extruded 6063 T6 aluminum alloy Min 0.080" (2mm) max 0.410" (10mm) precision clamp joint construction providing superior strength and square edged corners. Aluminum top held captive within the integrated channel. Fully sealed with a direct injected silicone raceway.

### Reflector

Constructed using high performance mirror polished anodized and sealed specular grade aluminum with a total reflectance no less than 95%. Multi stage optics are segmented, multi-faceted and rotatable in 90 degree increments. With a unique reflector design, uniformity in maximized and the 'hot spot' is reduced.

### Lens / Frame

6063 T6 clear extruded aluminum. Servicing is made easy with an invisible self hinged design incorporating tool-less stainless steel latches. The standard flat tempered safety glass is fully encased with high temperature EPDM gasket. When glare-control is required an optional semi-transparent frosted tempered glass lens is available.

### Finish

Rugged, long life, oven baked polyester powder coatings utilizing multi-stage pre-treatment for outstanding adhesion. Optional Hard color anodizing provides a superior protection in harsh and corrosive applications.

### Electrical

High power factor ballasts rated to -30 Deg C (-20 Deg F). 5 KV rated mogul base lamp holders are fixed to an aluminum heat-sink bracket and can be field adjusted for lamp center and rotation for position sensitive lamps.

### Lamping

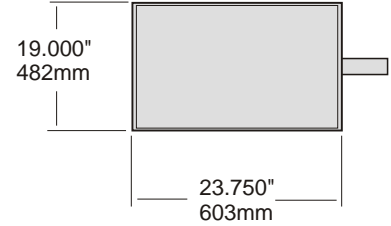
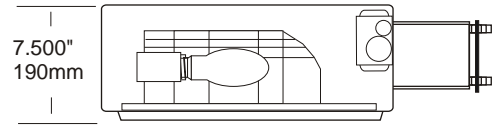
Horizontal burn position and mogul base for all reflector types.  
400w - 175MH Mogul Base ED-28  
400w - 200 HPS Mogul Base ET-18

### Warranty

A three year warranty against defects in material and workmanship. Lamp and ballast and ballast components warranties are provided by manufacturer. All warranties are limited to replacement and/ or repair.

# Mid Rexquare

400 watt HID Full Cut-Off  
Dark Skies Compliant  
Pole Mounted Luminaire



### Effective Projected Area:

E.P.A measured in sq/ft and includes a 10" mounting arm.

1 Fixture	1.86
2 Fixture	3.72
3 Fixture	4.14
4 Fixture	4.14



Listed for Wet Location



Lamp Wattage

	Pulse	Standard	
	400,MHP	400 MH	400HPS
	320 MHP	250MH	250HPS
	250 MHP	175MH	200HPS
	175 MHP		



Voltage

120, 208, 240, 277, 347, 480, 600  
MT- 120/208/240/277 (US)  
MT- 120/277/347 (CAN)



Distribution

VQ, FF, III, II



Lens

Flat Glass (LG)  
Frosted Glass (FG)



Mounting

Surface Mount (SM) Single Slipfitter (FT1)  
Pole Mount (PM) Twin Slipfitter @ 180 (FT2-180)  
Wall Mount (WM) Twin Slipfitter (FT2-BH)  
Yoke Mount (YM) Triple Slipfitter (FT3-BH)



Options

4" Pole Mount Arm (AS4) Quartz Restrike (Q)  
6" Pole Mount Arm (AS6) Fuse(s) (F)  
12" Pole Mount Arm (AS12) Modular Discon. (MD)  
Photo Control (PC) House Side Shield (HS)



Color / Finish

**Powder coat** White (WHI) **Anodizing** Clear (CLA)  
Black (MBK) Black (MBA)  
Bronze (BZS) Bronze (BZA)  
Special (SPC)

Pole Mount

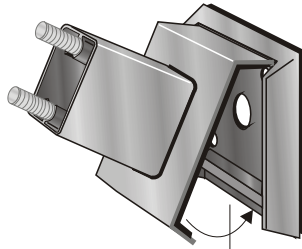
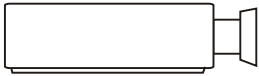


**Pappi Lighting**

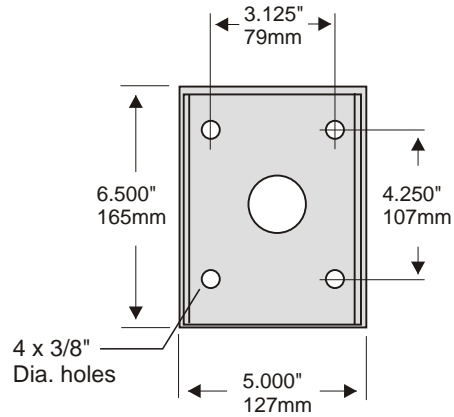
Tel: 888-453-1139 Fax: 866-720-3015  
www.pappilighting.com

**Wall Mount**

"Clip n' Hang" feature

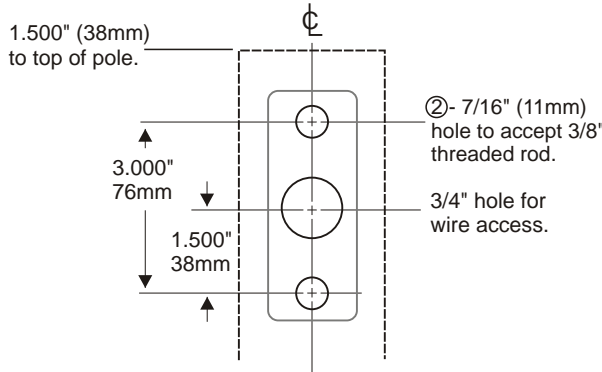
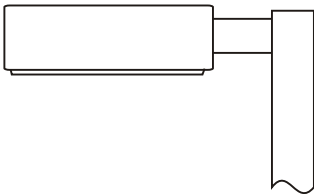


1/4" Stainless steel set screw.

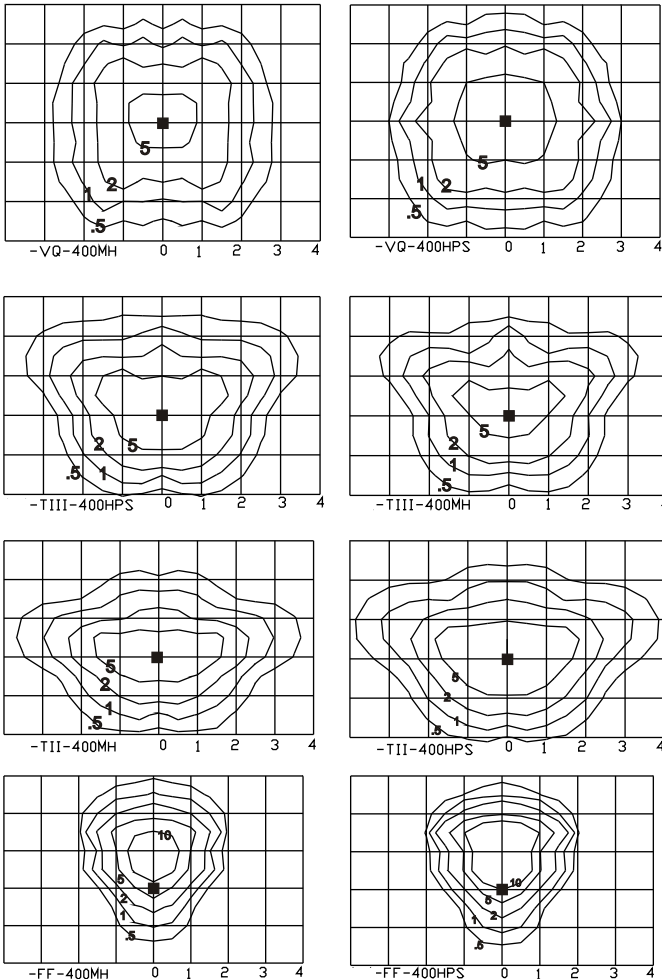


**Pole Mount**

12" and 4" arm available.



**Photometrics**



**Mounting height Multiplier for 400w MH Max.**

Height	8'	15'	18'	20'	24'	28'	30'
Multiplier	3.51	1.77	1.23	1	0.69	0.51	0.44

*IES photometric files are available for download from our home page at [www.pappilighting.com](http://www.pappilighting.com)*

Pappi HID Luminaires are warranted against defects in material and workmanship for three years. The ballast manufacturer provides a two year warranty. All warranties are limited to replacement and/or repair.



**Pappi Lighting**

World Class Luminaires and Poles

Mounting Height = 20 ft. Each box represents one mounting height. Pappi Lighting reserves the right to make product changes for improvement without prior notification