

**Housing**

Rugged anodizing quality extruded 6063 T6 aluminum Min 0.080" (2mm) max 0.410" (10mm) incorporating precision, internally welded with clamp joint construction. Extruded aluminum. Integral cooling fins on luminaire underside reduces ballast operating temperature. Aerodynamic styling reduces wind loading cross-section. Unique 'positive lift' design transposes lateral loading and reduces pole sway.

**Reflector**

Constructed using high performance mirror polished anodized and sealed specular grade aluminum with a total reflectance no less than 95%. Multi stage optics are segmented, multi-faceted and rotatable in 90 degree increments. With a unique reflector design, uniformity is maximized and with direct-reflect technology, the 'hot-spot' is eliminated allowing mounting heights to be reduced.

**Lens / Frame**

6063 T6 clear anodized extruded aluminum. Servicing is made easy with an invisible self hinged design incorporating stainless steel tool-less latches. The standard flat tempered safety glass is fully encased with high temperature EPDM gasket. When glare-control is required an optional semi-transparent frosted tempered glass lens is available. Optional sag tempered bubble glass further increases performance.

**Electrical**

High power factor ballasts rated to -30 Deg C (-20 Deg F). 5 KV rated mogul base lamp holders are fixed to an aluminum heat-sink bracket and can be field adjusted for lamp center and rotation for position sensitive lamps.

**Finish**

Rugged, long life, oven baked polyester powder coatings utilizing multi-stage pre-treatment for outstanding adhesion. Optional Hard color anodizing provides a superior protection in harsh and corrosive applications.

**Lamping**

Horizontal Burn Position and mogul base for all reflector types.

- 1000w - 400MH Mogul Base BT-37
- 1000w HPS Mogul Base E-25
- 400w HPS Mogul Base ET-18

**Warranty**

A three year warranty against defects in material and workmanship. Lamp and ballast and ballast components warranties are provided by manufacturer. All warranties are limited to replacement and/or repair.



Listed for Wet Location

Effective Projected Area:

E.P.A measured in sq/ft and includes yoke mounting

EPA = 1.06

**ELT 1**

Lamp type

- 1000 MH
- 750 MHP (PULSE)
- 450 MH
- 400 MHP (PULSE)
- 400 MH
- 1000 HPS

Voltage

- 120, 208, 240, 277, 347, 480, 600
- MT- 120/208/240/277 (US)
- MT- 120/277/347 (CAN)

Distribution

VQ, III, FF (IES type 4)

Lens

- Flat Glass (LG)
- Frosted Glass (FG)
- Sag Glass (SG)

Mounting

- Yoke Mount (YM)
- Pole Mount (PM)
- Slip Fitter Mount 1 fixture(FT1)
- Slip Fitter Mount 2 fixture180(FT2)
- Slip Fitter Mount 3 fixture120(FT3)

Options

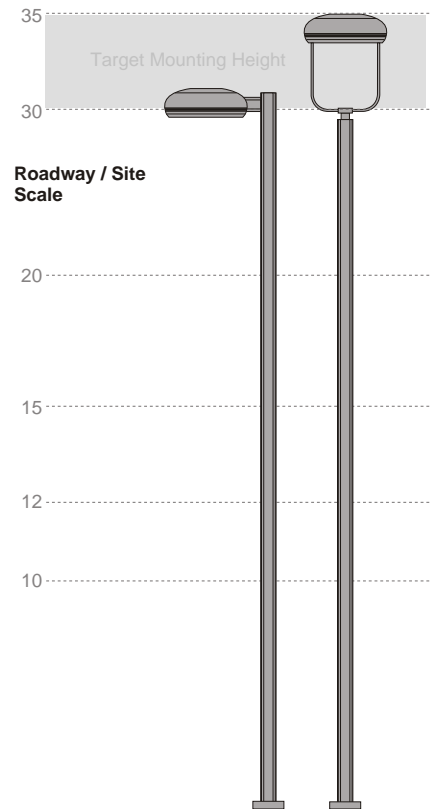
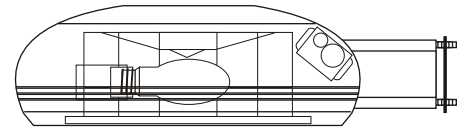
- Photo Control (PC)
- Quartz Restrike (Q)
- Fuse(s) (F)
- Modular Discon. (MD)
- House Side Shield (HS)

Color / Finish

- White (WHI)
- Black (MBK)
- Bronze (BZS)
- Special (SPC)
- Clear Anodizing(CLA)
- Black Anodizing(MBA)
- Bronze Anodizing(BZA)

**Eliminator**

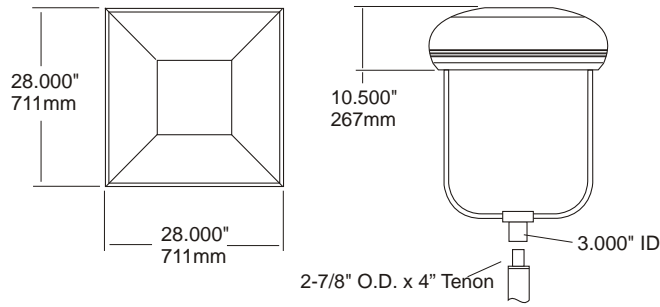
1000 watt HID Full Cut-Off  
Dark Skies Compliant  
Pole Mounted Luminaire



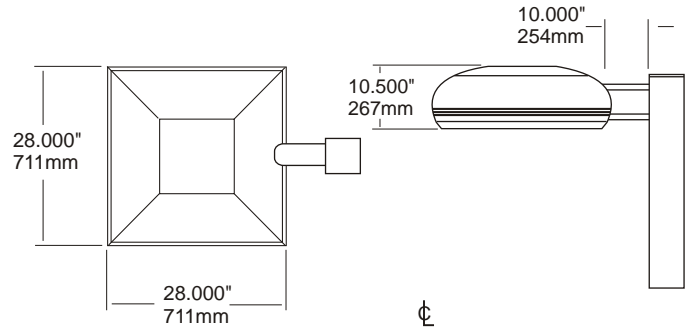
**Pappi Lighting**

www.pappilighting.com Tel: 888-453-1139 Fax: 866-720-3015

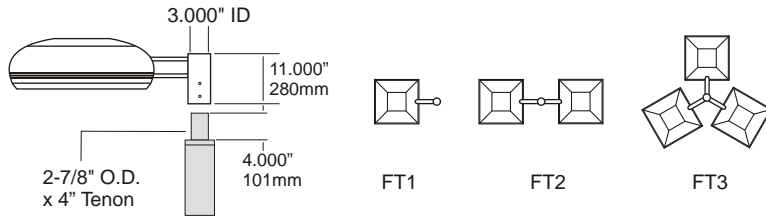
### Post-Top Mounting Information



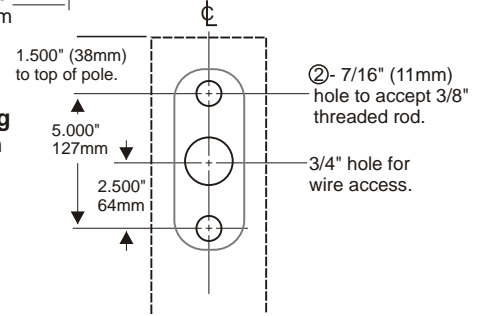
### Pole Mounting Information



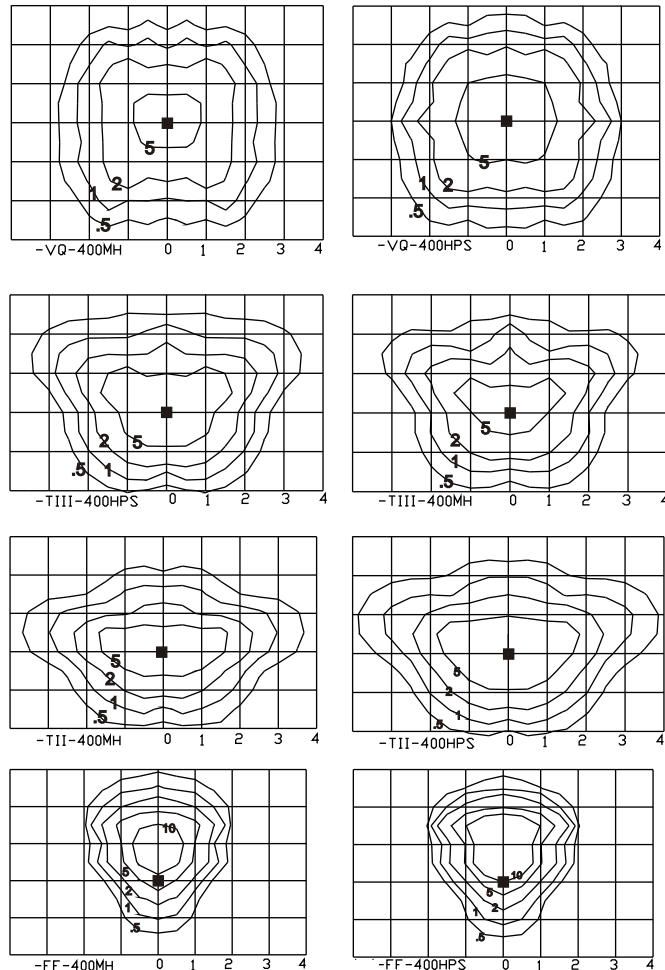
### Slipfitter Mounting Information



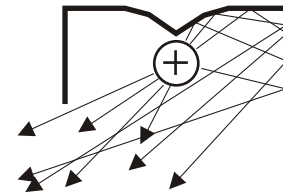
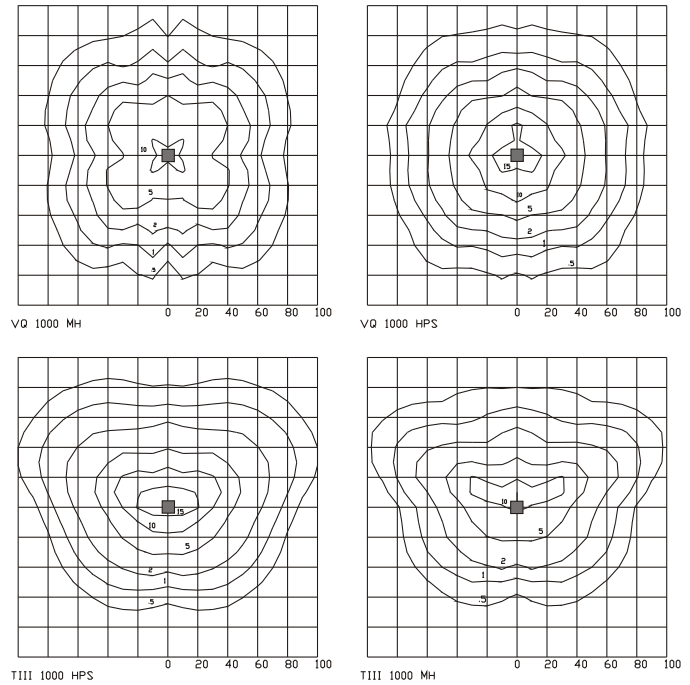
### Pole Drilling Information



### Eliminator One 400 Photometrics



### Eliminator One 1000 Photometrics



- High performance multi-stage stepped optics are engineered to remove the 'Hot Spot' and to maximize uniformity at a never before 30' mounting height. The Eliminator will reduce the number of luminaires and poles required on your project.

- Servicing made easy with a hinged tool-less entry tempered glass lens fully gasketed and accessed below the luminaire. The low mounting height will eliminate the need for long reach equipment.

### Eliminator Mounting height Multiplier. for 400w MH Max.

Height	8'	15'	18'	20'	24'	28'	30'
Multiplier	3.51	1.77	1.23	1	0.69	0.51	0.44

Pappi Lighting reserves the right to make product changes for improvement without prior notification