

### Shaft

Rugged heavy duty anodizing quality extruded 6061 T6 aluminum alloy.

### Base / Anchor

Galvanized and painted internally mounted steel base. Aluminum body fastened with 6 stainless steel screws (3 - pairs @ 120 degrees). Optional 1/2" dia x 18" Deep 'J' galvanized anchor bolts set ( 3 x 'J' bolts) are mounted to a plywood alignment template.

### Refractor

Borosilicate glass available in IES type 5 distribution. Optional house-side cut-off shielding is available in 90 and 180 degree configurations. Exterior formed louvers provide glare control, improve efficiency and overall photometric performance.

### Finish

Rugged, long life, oven baked polyester powder coatings utilizing multi-stage pre-treatment for outstanding adhesion.

### Electrical

High power factor ballasts rated to -30 Deg C (-20 Deg F). 4 KV rated with a maximum wattage of 100w MH or HPS. Ballast and components are mounted internally, on a removable tray. 4 KV rated medium base lamp holders are utilized for booth MH and HPS Lamps. Compact Fluorescent Dulux type lamp with a GX24 base. Electronic ballast is internally mounted within the luminaire housing and rated to -30 degrees C.

### Lamping

Vertical Burn Base down Position and medium base for HID applications. Gx24 type base for all compact fluorescent applications.

### Warranty

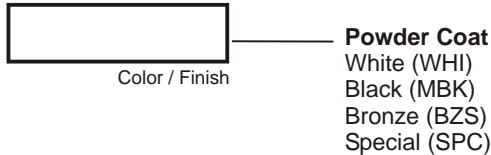
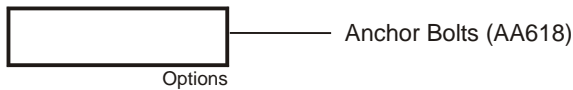
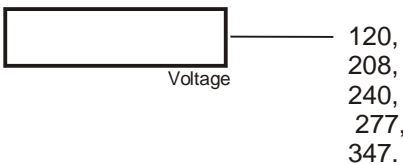
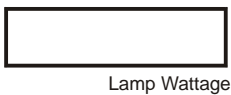
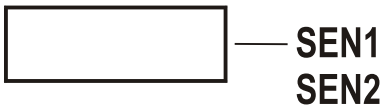
A three year warranty against defects in material and workmanship. Lamp and ballast and ballast components warranties are provided by manufacturer. All warranties are limited to replacement and/ or repair.



Listed for Wet Location

# Sentry

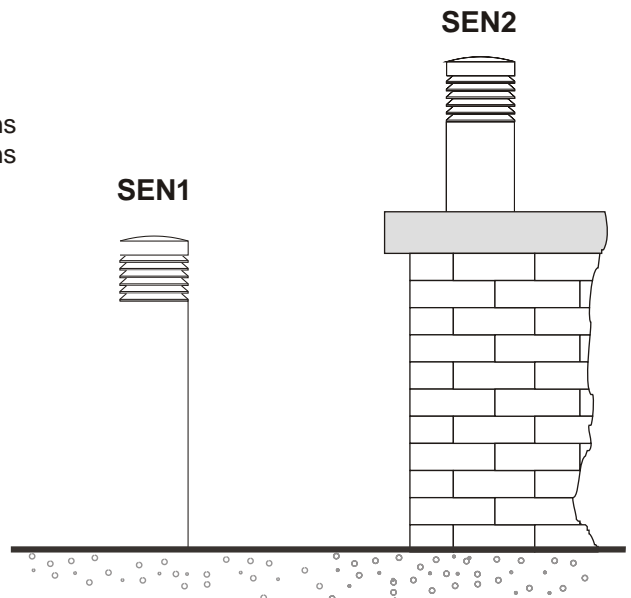
Architectural HID and Compact Fluorescent Bollards



**H.I.D.**  
(100 MH) 9000 Lumens  
(70 MH) 5600 Lumens  
(50 MH) 3400 Lumens  
(100 HPS) 9500 Lumens  
(70 HPS) 6300 Lumens  
(50 HPS) 4000 Lumens

**Compact Fluorescent**  
(26CF)26w 1800 lumens  
(32CF)32w 2400 lumens  
(42CF)42w 3200 lumens

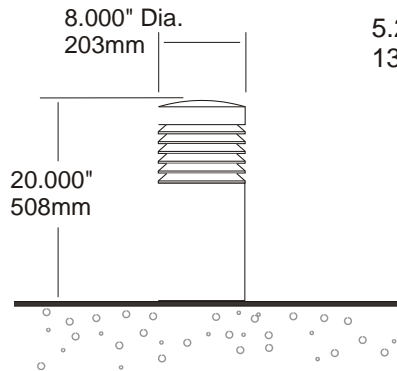
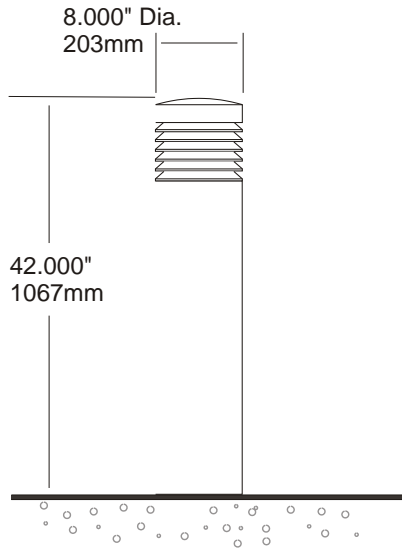
**Incandescent**  
(60IN) 60w 890 lumens  
(100IN) 100w 1750 lumens  
(150IN) 150w 2780 lumens



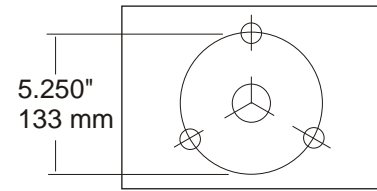
**Pappi Lighting**

www.pappilighting.com Tel: 888-453-1139 Fax: 866-720-3015

## Sentry Luminaire Dimensions

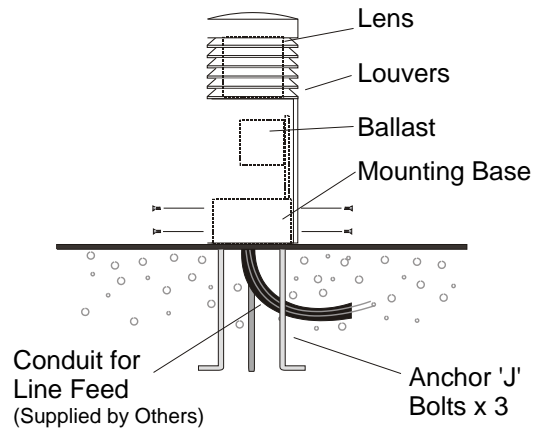
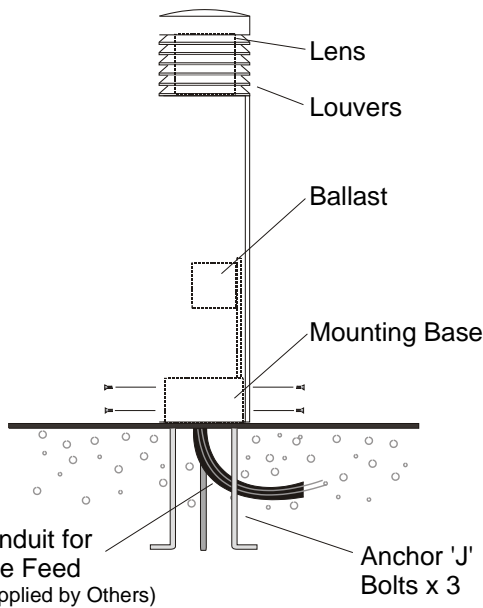


### Anchor Bolt Circle Diameter Details.

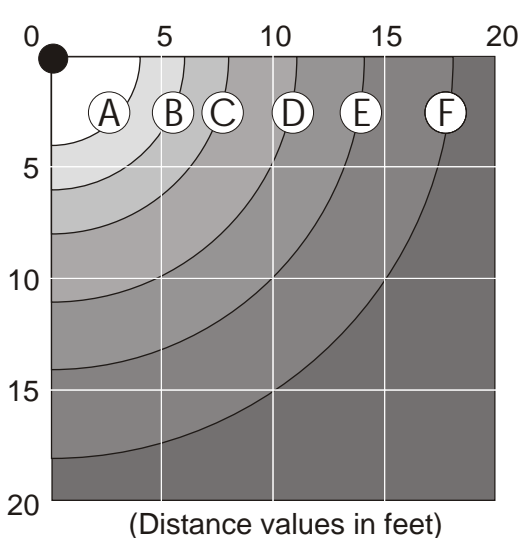


3 x 1/2" Galvanized  
'J' bolts @ 120 degrees.

## Sentry Luminaire Mounting



## Photometrics



Lamp	(Values in Foot Candles)					
	A	B	C	D	E	F
<b>100MH</b>	10	5	2	1	0.5	0.2
<b>70 MH</b>	6	3	1.2	0.6	0.3	0.12
<b>50 MH</b>	4	2	0.8	0.4		
<b>100HPS</b>	12	6	2.5	1.2	0.6	0.25
<b>70 HPS</b>	8	4	1.6	0.8	0.4	0.16
<b>50 HPS</b>	4.4	2.2	0.9	0.4	0.2	

Note: All values are initial with no light loss factor. Photometric test certified by an independent laboratory. Test performed with 3' mounting height luminaire



**Pappi Lighting**

www.pappilighting.com

Tel: 888-453-1139 Fax: 866-720-3015

Pappi Lighting reserves the right to make product changes without prior notification