

Shaft

Rugged heavy duty anodizing quality extruded 6061 T6 aluminum alloy.

Cap

Rugged heavy duty die cast aluminum dome with no exposed fasteners.

Refractor

Rugged clear acrylic lens available in IES type 5 distribution. Optional house side cut-off shielding is available in 90 and 180 degree configurations. Heavy wall die cast aluminum alloy louvers offer maximum performance and glare control.

Finish

Rugged, long life, oven baked polyester powder coatings utilizing multi-stage pre-treatment for outstanding adhesion.

Electrical

4 KV rated medium base lamp holders are utilized for incandescent Lamps. Compact Fluorescent Dulux type lamp with a GX24 base. Electronic ballast is internally mounted within the luminaire housing and rated to -20 degrees C.

Lamping

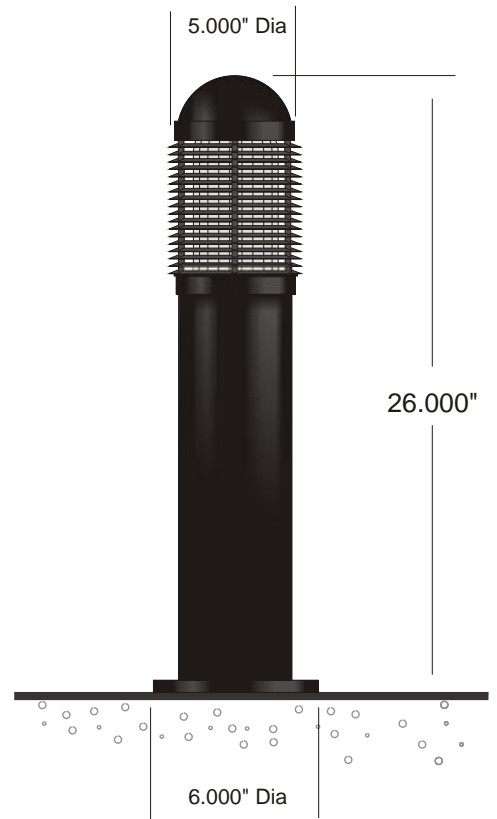
Vertical Burn Base down Position and medium base for all incandescent applications. (60w max) Gx24 type base for all compact fluorescent applications.

Warranty

A two year warranty against defects in material and workmanship. Lamp and ballast and ballast components is provided by manufacturer. All warranties are limited to replacement and/or repair.

Edgeway

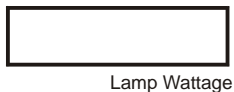
Architectural Pathway Incandescent and Compact Fluorescent Bollards



Ideal for garden and pathway applications



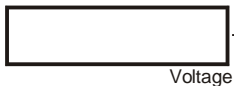
EDG1



Lamp Wattage

Compact Fluorescent
(26CF)26w 1800 lumens
(32CF)32w 2400 lumens

Incandescent
(60IN) 60w 890 lumens max.



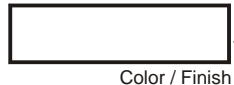
Voltage

120,



Options

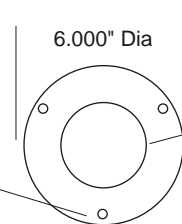
House side Shield
(HS 90) 90 degrees
(HS 180) 180 degrees



Color / Finish

Powder Coat
White (WHI)
Black (MBK)
Bronze (BZS)
Special (SPC)

3 x 1/4" dia concrete galvanized fasteners (supplied by others)



4.000" Dia opening for feed wiring

Mounting Details



Pappi Lighting

www.pappilighting.com Tel: 888-453-1139 Fax: 866-720-3015



Listed for Wet Location

Shaft

Rugged heavy duty anodizing quality extruded 6061 T6 aluminum alloy.

Cap

Rugged heavy duty die cast aluminum dome with no exposed fasteners.

Refractor

Rugged clear acrylic lens available in IES type 5 distribution. Optional house side cut-off shielding is available in 90 and 180 degree configurations. Heavy wall die cast aluminum.

Finish

Rugged, long life, oven baked polyester powder coatings utilizing multi-stage pre-treatment for outstanding adhesion.

Electrical

4 KV rated medium base lamp holders are utilized for incandescent lamps. Compact Fluorescent Dulux type lamp with a GX24 base. Electronic ballast is internally mounted within the luminaire housing and rated to -20 degrees C.

Lamping

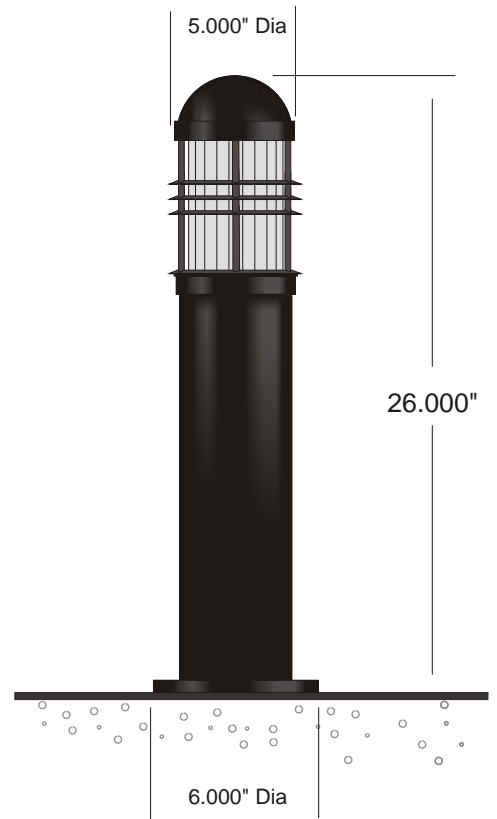
Vertical Burn Base down Position and medium base for all incandescent applications. (60w max) Gx24 type base for all compact fluorescent applications.

Warranty

A two year warranty against defects in material and workmanship. Lamp and ballast and ballast components is provided by manufacturer. All warranties are limited to replacement and/or repair.

Edgeway

Architectural Pathway Incandescent and Compact Fluorescent Bollards



Ideal for garden and pathway applications



EDG2



Lamp Wattage

Compact Fluorescent
(26CF)26w 1800 lumens
(32CF)32w 2400 lumens

Incandescent
(60IN) 60w 890 lumens max.



Voltage

120,



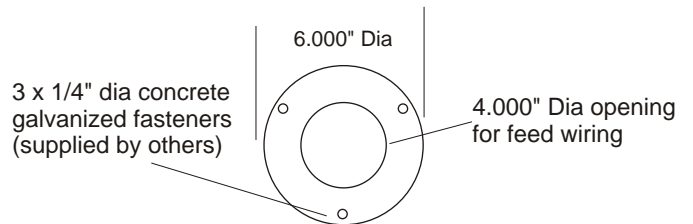
Options

House side Shield
(HS 90) 90 degrees
(HS 180) 180 degrees



Color / Finish

Powder Coat
White (WHI)
Black (MBK)
Bronze (BZS)
Special (SPC)



Mounting Details



Pappi Lighting

www.pappilighting.com Tel: 888-453-1139 Fax: 866-720-3015



Listed for Wet Location